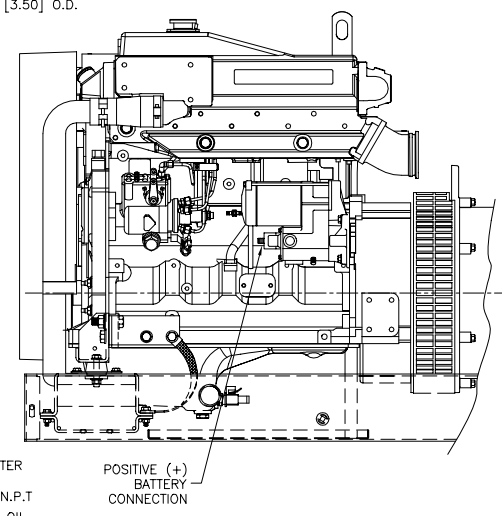
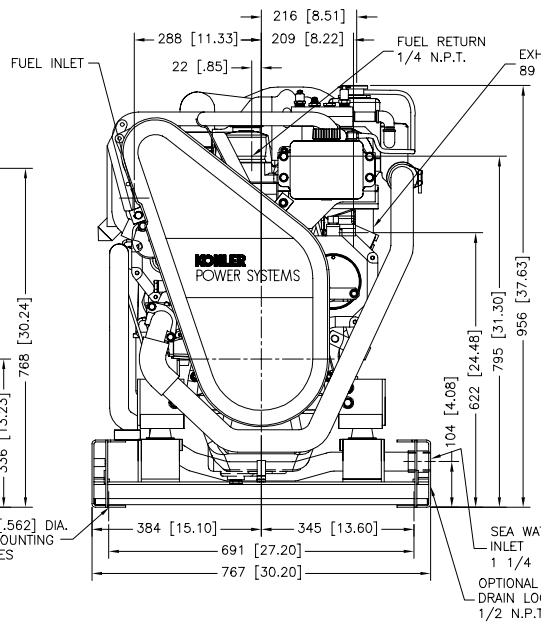
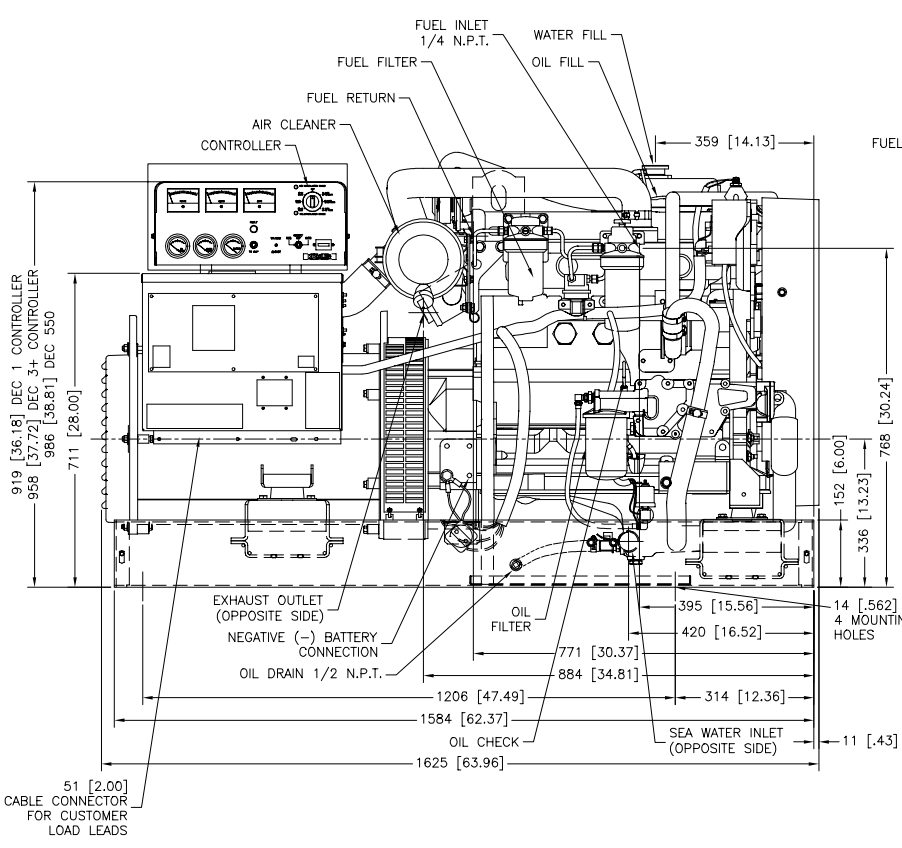


REV	DATE	REVISION	BY
-	11-9-05	NEW DRAWING [78442]	DDH
A	8-9-08	(A-3) 890 WAS 886, 916 WAS 886 (C-8) EXPANDED DEC 1 REMOVED, DEC 550 ADDED, SEE SHEET 3 [78924]	SAM



METRIC CAD FILE

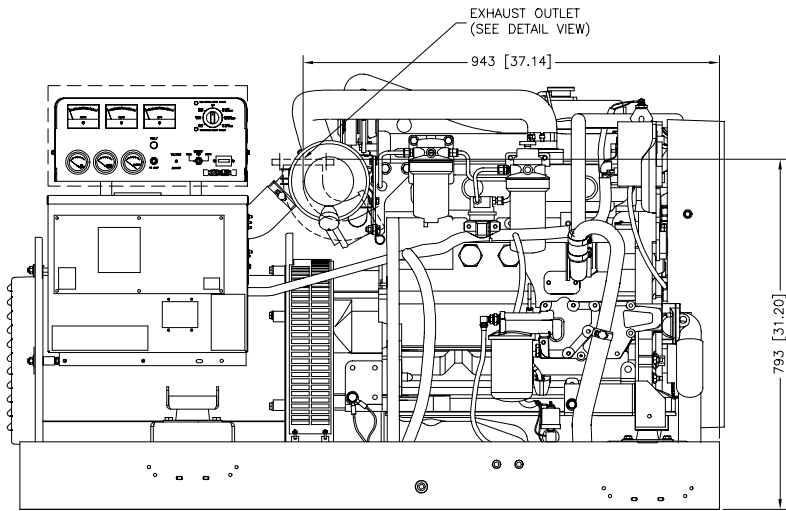
NOTE:
DIMENSIONS IN [] ARE IN INCH EQUIVALENTS.
DRY WEIGHT - 890 Kg. [1960 LBS.]
WET WEIGHT - 916 Kg. [2020 LBS.]

40E0ZD/34EFOZD
JOHN DEERE MARINE

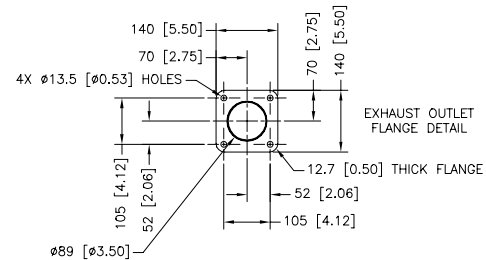
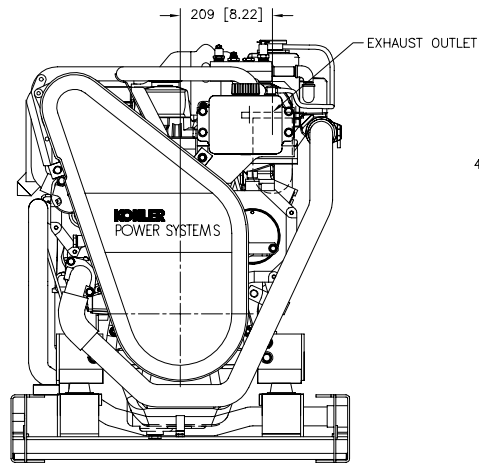
ADV-7139

UNLESS OTHERWISE SPECIFIED		TOLERANCES ARE:	
1) DIMENSIONS ARE IN MILLIMETERS	2) TOLERANCES ARE:	SIZE	FINISH
1/4" ±	± .005	1/4" ±	± .005
1/2" ±	± .005	1/2" ±	± .005
1" ±	± .005	1" ±	± .005
2" ±	± .005	2" ±	± .005
3" ±	± .005	3" ±	± .005
4" ±	± .005	4" ±	± .005
5" ±	± .005	5" ±	± .005
6" ±	± .005	6" ±	± .005
7" ±	± .005	7" ±	± .005
8" ±	± .005	8" ±	± .005
9" ±	± .005	9" ±	± .005
10" ±	± .005	10" ±	± .005
11" ±	± .005	11" ±	± .005
12" ±	± .005	12" ±	± .005
13" ±	± .005	13" ±	± .005
14" ±	± .005	14" ±	± .005
15" ±	± .005	15" ±	± .005
16" ±	± .005	16" ±	± .005
17" ±	± .005	17" ±	± .005
18" ±	± .005	18" ±	± .005
19" ±	± .005	19" ±	± .005
20" ±	± .005	20" ±	± .005
21" ±	± .005	21" ±	± .005
22" ±	± .005	22" ±	± .005
23" ±	± .005	23" ±	± .005
24" ±	± .005	24" ±	± .005
25" ±	± .005	25" ±	± .005
26" ±	± .005	26" ±	± .005
27" ±	± .005	27" ±	± .005
28" ±	± .005	28" ±	± .005
29" ±	± .005	29" ±	± .005
30" ±	± .005	30" ±	± .005
31" ±	± .005	31" ±	± .005
32" ±	± .005	32" ±	± .005
33" ±	± .005	33" ±	± .005
34" ±	± .005	34" ±	± .005
35" ±	± .005	35" ±	± .005
36" ±	± .005	36" ±	± .005
37" ±	± .005	37" ±	± .005
38" ±	± .005	38" ±	± .005
39" ±	± .005	39" ±	± .005
40" ±	± .005	40" ±	± .005
41" ±	± .005	41" ±	± .005
42" ±	± .005	42" ±	± .005
43" ±	± .005	43" ±	± .005
44" ±	± .005	44" ±	± .005
45" ±	± .005	45" ±	± .005
46" ±	± .005	46" ±	± .005
47" ±	± .005	47" ±	± .005
48" ±	± .005	48" ±	± .005
49" ±	± .005	49" ±	± .005
50" ±	± .005	50" ±	± .005
51" ±	± .005	51" ±	± .005
52" ±	± .005	52" ±	± .005
53" ±	± .005	53" ±	± .005
54" ±	± .005	54" ±	± .005
55" ±	± .005	55" ±	± .005
56" ±	± .005	56" ±	± .005
57" ±	± .005	57" ±	± .005
58" ±	± .005	58" ±	± .005
59" ±	± .005	59" ±	± .005
60" ±	± .005	60" ±	± .005
61" ±	± .005	61" ±	± .005
62" ±	± .005	62" ±	± .005
63" ±	± .005	63" ±	± .005
64" ±	± .005	64" ±	± .005
65" ±	± .005	65" ±	± .005
66" ±	± .005	66" ±	± .005
67" ±	± .005	67" ±	± .005
68" ±	± .005	68" ±	± .005
69" ±	± .005	69" ±	± .005
70" ±	± .005	70" ±	± .005
71" ±	± .005	71" ±	± .005
72" ±	± .005	72" ±	± .005
73" ±	± .005	73" ±	± .005
74" ±	± .005	74" ±	± .005
75" ±	± .005	75" ±	± .005
76" ±	± .005	76" ±	± .005
77" ±	± .005	77" ±	± .005
78" ±	± .005	78" ±	± .005
79" ±	± .005	79" ±	± .005
80" ±	± .005	80" ±	± .005
81" ±	± .005	81" ±	± .005
82" ±	± .005	82" ±	± .005
83" ±	± .005	83" ±	± .005
84" ±	± .005	84" ±	± .005
85" ±	± .005	85" ±	± .005
86" ±	± .005	86" ±	± .005
87" ±	± .005	87" ±	± .005
88" ±	± .005	88" ±	± .005
89" ±	± .005	89" ±	± .005
90" ±	± .005	90" ±	± .005
91" ±	± .005	91" ±	± .005
92" ±	± .005	92" ±	± .005
93" ±	± .005	93" ±	± .005
94" ±	± .005	94" ±	± .005
95" ±	± .005	95" ±	± .005
96" ±	± .005	96" ±	± .005
97" ±	± .005	97" ±	± .005
98" ±	± .005	98" ±	± .005
99" ±	± .005	99" ±	± .005
100" ±	± .005	100" ±	± .005

REV	DATE	REVISION	BY
-	11-9-05	NEW DRAWING [78442]	DDH
A	8-9-08	SEE SHEETS 1 AND 3 [78924]	SAM



DRY EXHAUST ELBOW



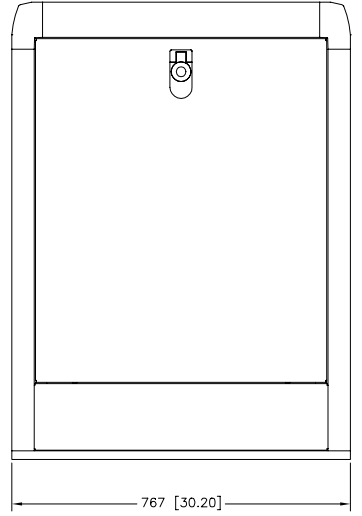
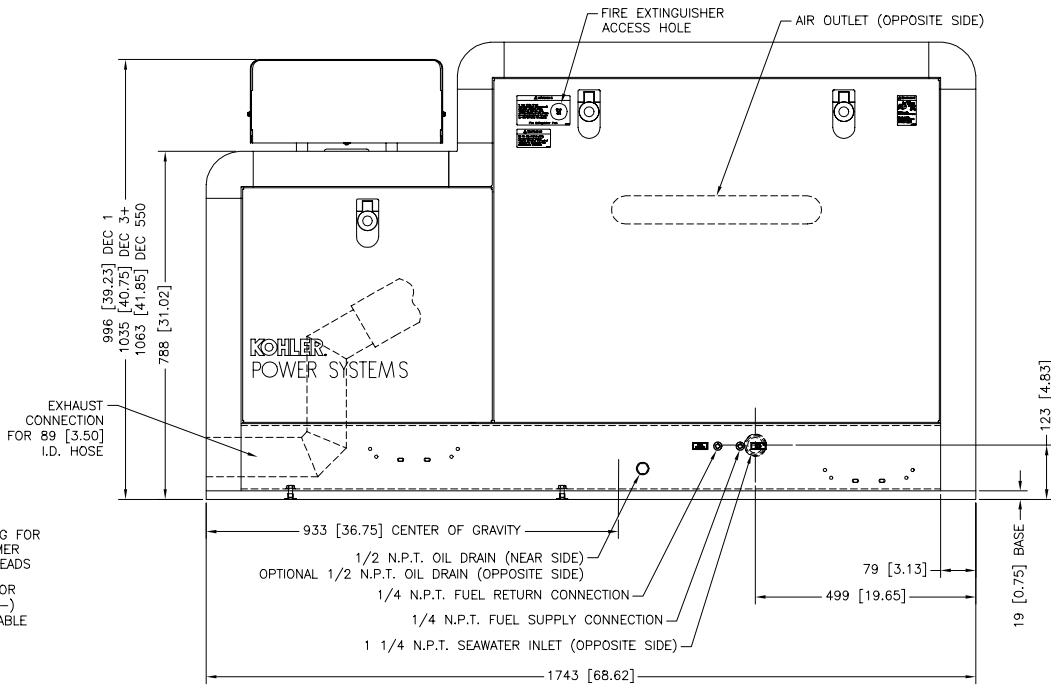
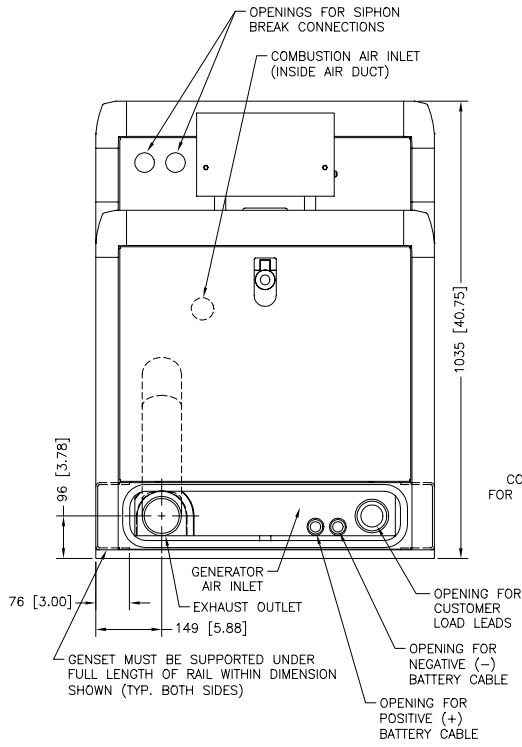
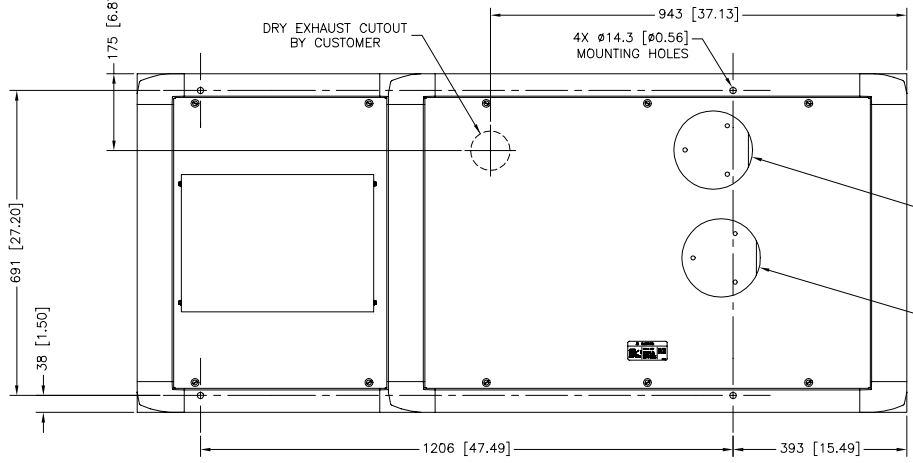
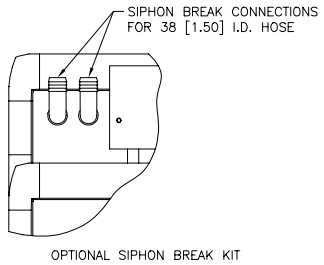
NOTE:
DIMENSIONS IN [] ARE IN INCH EQUIVALENTS.

METRIC CAD FILE

UNLESS OTHERWISE SPECIFIED: 1) DIMENSIONS ARE IN MILLIMETERS 2) TOLERANCES ARE: X.X ± X ± X ± ANGLES ±		SURFACE FINISH M ✓ N ✓ ANGLER ±		KOHLER CO. POWER SYSTEMS, KOHLER, WI 53044 U.S.A. THIS DRAWING IS DESIGN AND DETAIL IS KOHLER CO. PROPERTY AND MUST NOT BE USED EXCEPT IN CONNECTION WITH KOHLER CO. WORK. ALL RIGHTS OF DESIGN OR INVENTION ARE RESERVED.	
THIS AREA PROTECTED BY PATENT		TITLE		DIMENSION PRINT	
APPROVED	DATE	SCALE	DWG NO.	SHEET	OF
DDH	11-9-05	0.2X	ADV7139B.DWG	2-5	
CHECKED	DATE	JOB NO.		REV. NO.	
DDH	11-9-05	ADV-7139		D	
APPROVED	DATE	PLOTTED DATE		REV. NO.	
ALC	11-9-05				

40E0ZD/34EFOZD
JOHN DEERE MARINE

REV	DATE	REVISION	BY
-	11-9-05	NEW DRAWING [78442]	DDH
A	8-9-08	(A-4) 966 WAS 943, 993 WAS 964 (A-5) DIM 933 ADDED (B-6)	SAM
		DEC 55 ADDED, EXPANDED DEC 1 REMOVED, SEE SHEET 1 [78924]	



METRIC CAD FILE

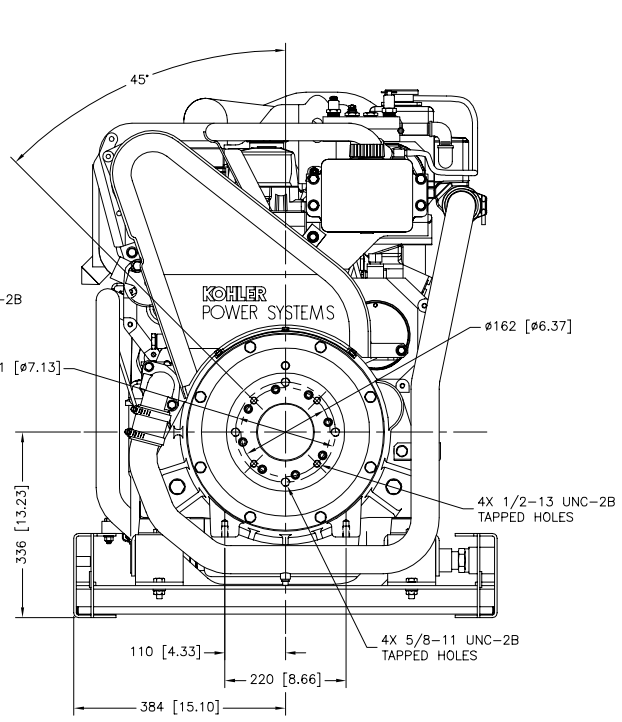
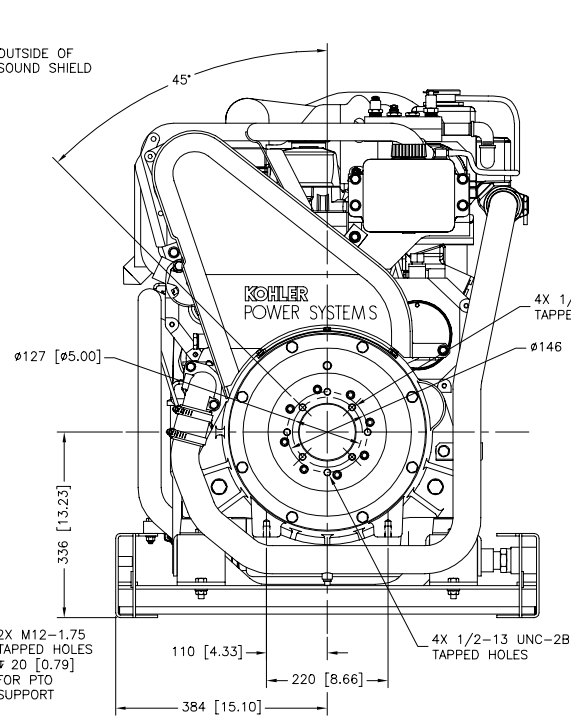
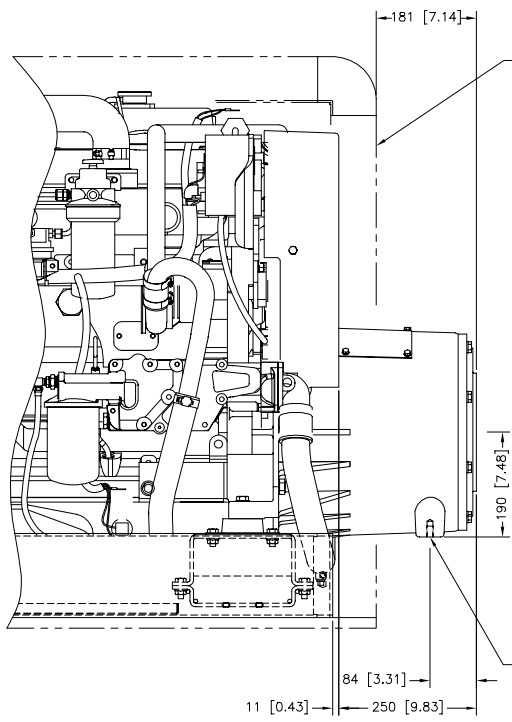
NOTES
DIMENSIONS IN [] ARE IN INCH EQUIVALENTS.

DRY WEIGHT WITH SOUND SHIELD - 966 Kg. [2130 LB.]
WET WEIGHT WITH SOUND SHIELD - 993 Kg. [2190 LB.]

40EOZD/34EFOZD
JOHN DEERE MARINE

UNLESS OTHERWISE SPECIFIED: 1) DIMENSIONS ARE IN MILLIMETERS 2) TOLERANCES ARE: X.XX ± SURFACE FINISH X.X ± MAX. ANGLES ±		KOHLER CO. POWER SYSTEMS, KOHLER, WI 53044 U.S.A. THIS DRAWING IS DESIGN AND DETAIL IS KOHLER CO. PROPERTY AND MUST NOT BE USED WITHOUT PERMISSION WITH KOHLER CO. WORK. ALL RIGHTS OF DESIGN OR INVENTION ARE RESERVED.	
THIS AREA PROTECT FROM IMPROPER HANDLING		TITLE DIMENSION PRINT	
APPROVALS	DATE	SCALE	SHEET
DRAWN DDH	11-9-05	0.2X	3-5
CHECKED DDH	11-9-05	DWG NO. ADV7139C.dwg	
APPROVED ALC	11-9-05	REV. NO.	
DRAWN DATE		DRAWN DATE	

REV	DATE	REVISION	BY
-	11-9-05	NEW DRAWING [78442]	DDH
A	8-9-08	SEE SHEETS 1 AND 3 [78924]	SAM



ELECTRIC CLUTCH POWER TAKE-OFF
SAE "B" SPLINED 2-4 BOLT HYDRAULIC PUMP MOUNTING

ELECTRIC CLUTCH POWER TAKE-OFF
SAE "C" SPLINED 2-4 BOLT HYDRAULIC PUMP MOUNTING

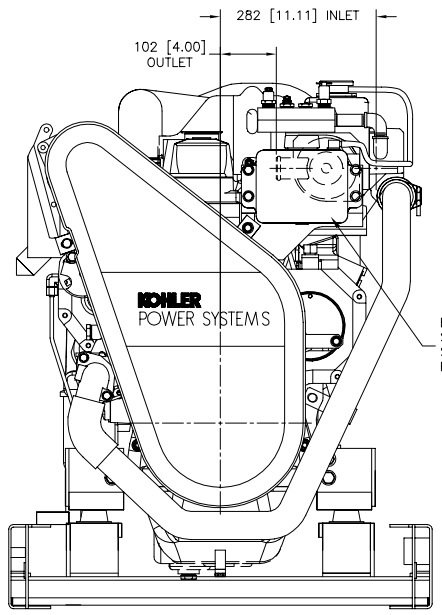
METRIC CAD FILE

NOTES
DIMENSIONS IN [] ARE IN INCH EQUIVALENTS.

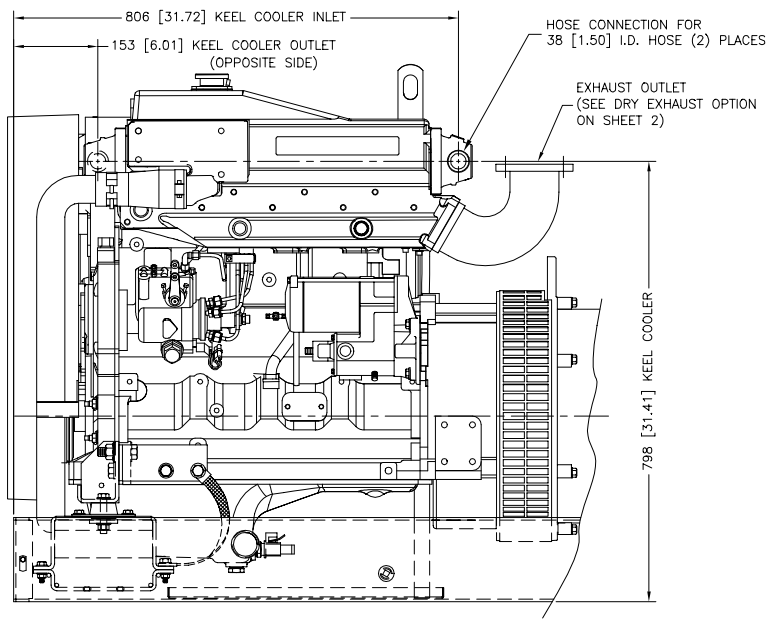
UNLESS OTHERWISE SPECIFIED: 1) DIMENSIONS ARE IN MILLIMETERS 2) TOLERANCES ARE: K: ± 0.13 M: ± 0.25 N: ± 0.38 P: ± 0.51 R: ± 0.64 S: ± 0.76 T: ± 0.89 V: ± 1.02 W: ± 1.27 X: ± 1.52 Y: ± 1.78 Z: ± 2.03		KOHLER CO. POWER SYSTEMS, KOHLER, WI 53044 U.S.A. THIS DRAWING IS DESIGN AND DETAIL IS KOHLER CO. PROPERTY AND MUST BE USED STRICTLY IN CONNECTION WITH KOHLER CO. WORK. ALL RIGHTS OF DESIGN OR INVENTION ARE RESERVED.	
DATE: 11-9-05 DRAWN: DDH CHECKED: DDH APPROVED: ALC		DATE: 11-9-05 SCALE: 0.25X DWG NO: ADV71390.dwg SHEET: 4-5 REV. NO: ADV-7139	
TITLE: DIMENSION PRINT		PLOT DATE: 11-9-05	

40E0ZD/34EFOZD
JOHN DEERE MARINE

REV	DATE	REVISION	BY
-	11-9-05	NEW DRAWING [78442]	DDH
A	8-9-08	SEE SHEETS 1 AND 3 [78924]	SAM



EXPANSION TANK TO BE SIZED PER KEEL COOLING SYSTEM REQUIREMENTS, REPLACE AS REQUIRED.



KEEL COOLING OPTION
INCLUDES DRY EXHAUST SEE SHEET 2

METRIC CAD FILE

UNLESS OTHERWISE SPECIFIED: 1) DIMENSIONS ARE IN MILLIMETERS 2) TOLERANCES ARE: X.X ± .1 X ± .1 X ± .1 ANGLES ± .1		KOHLER CO. POWER SYSTEMS, KOHLER, WI 53044 U.S.A. THIS DRAWING IS DESIGN AND DETAIL IS KOHLER CO. PROPERTY AND MUST NOT BE USED EXCEPT IN CONNECTION WITH KOHLER CO. WORK. ALL RIGHTS OF DESIGN OR INVENTION ARE RESERVED.	
THIS AREA PROTECTS THE PATENT RIGHTS OF KOHLER CO. APPROVED: DATE: 11-9-05 DRAWN: DDH DATE: 11-9-05 CHECKED: DDH DATE: 11-9-05 APPROVED: ALC DATE: 11-9-05		TITLE: DIMENSION PRINT SCALE: .25X Dwg No: ADV7139E.DWG SHEET: 5-5 PLOT DATE: ADV-7139 D	

40E0ZD/34EFOZD
JOHN DEERE MARINE