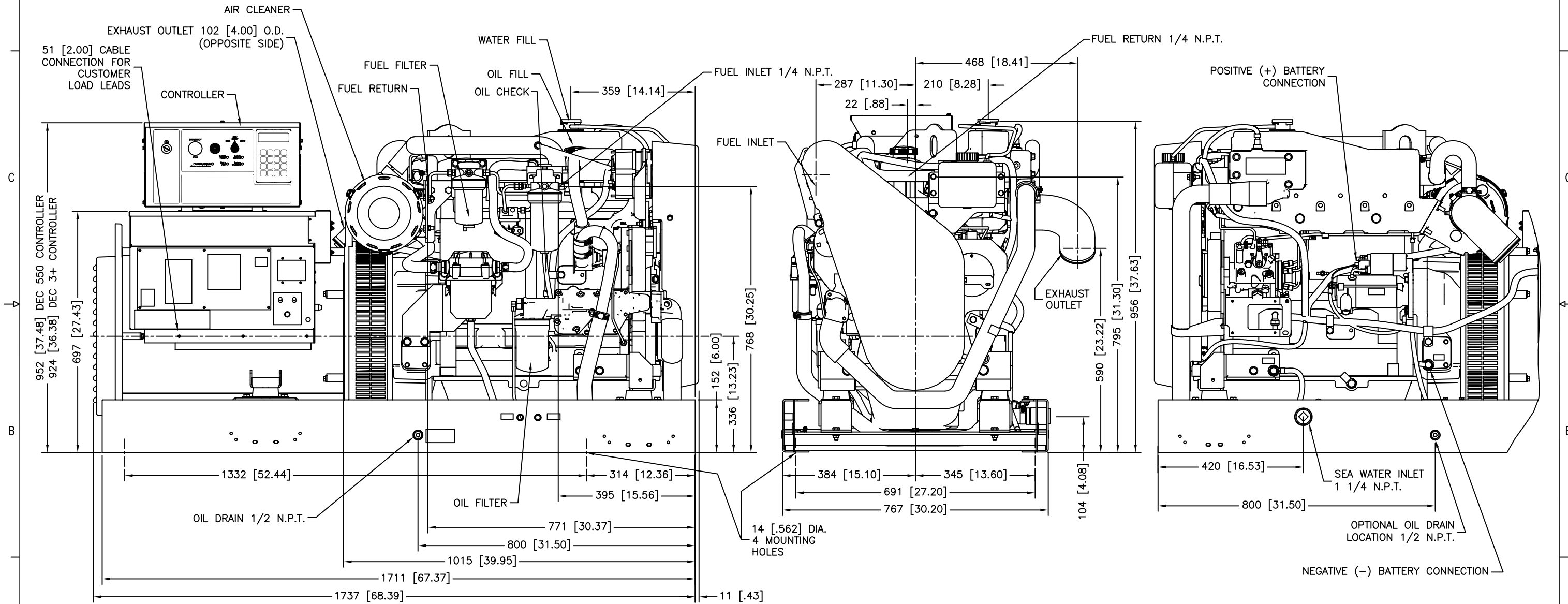


REV	DATE	REVISION	BY
C	10-26-07	(C-7,8) DEC 1 CONTROLLER REMOVED; (B-1,2) SEA WATER INLET, OPT. OIL DRAIN & NEG. BATTERY CONNECTION LOCATIONS UPDATED; SEE SHEETS 2 & 3 [83222]	SEM
D	6-2-08	(B,C-8) 952 [37.48] WAS 971 [38.24] & 924 [36.38] WAS 943 [37.15]. [85164]	GFR
E	9-9-08	(B-2,B-6) OIL DRAIN LOCATION 800.0 WAS 675.0.[85000]	MRS

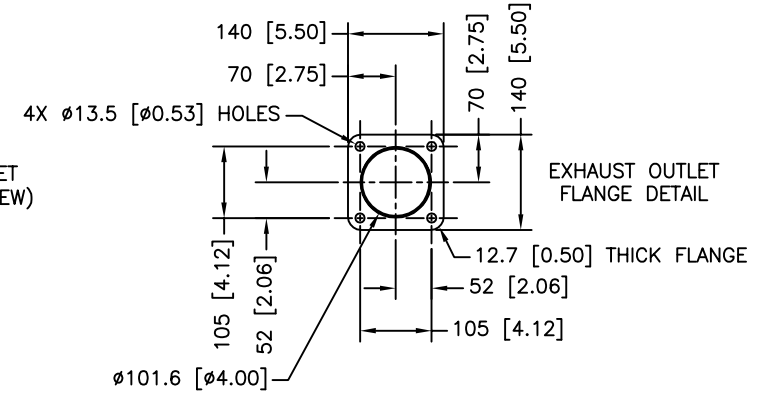
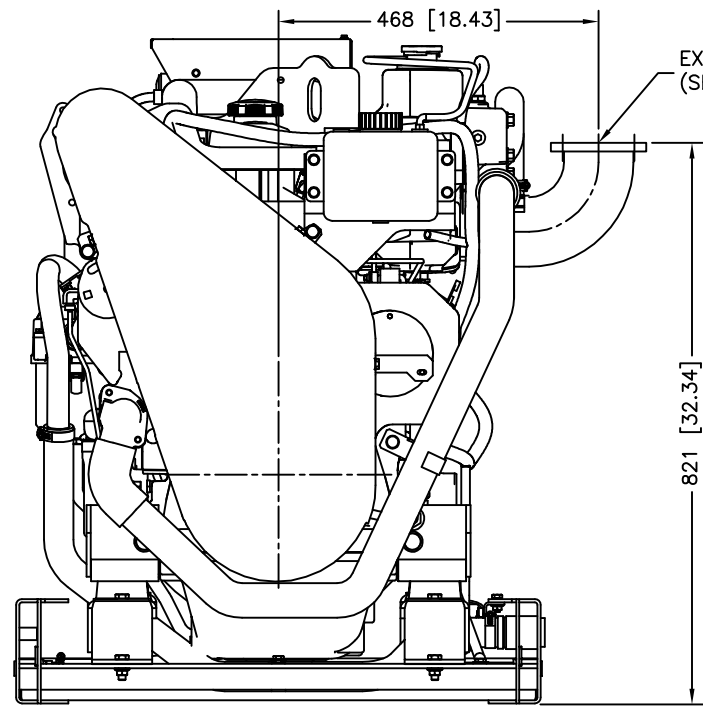
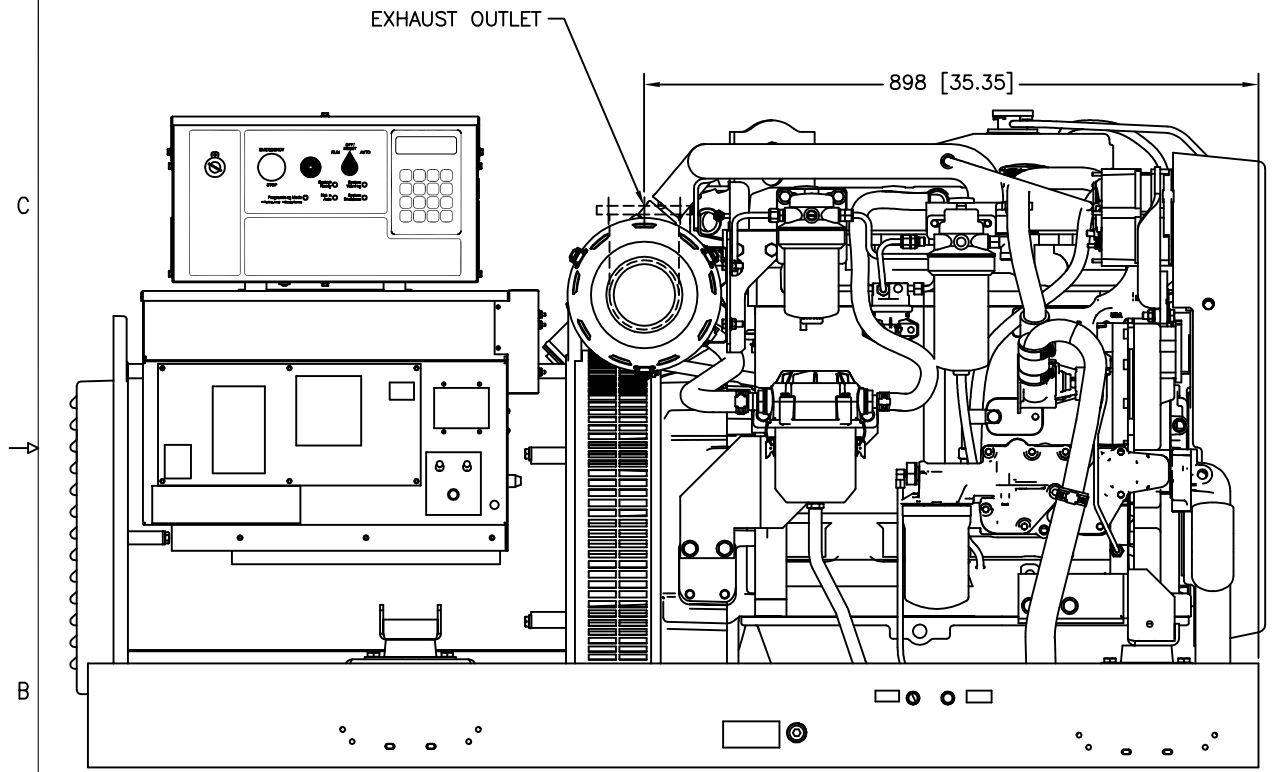


METRIC CAD FILE

NOTES  
 DIMENSIONS IN [ ] ARE IN INCH EQUIVALENTS.  
 DRY WEIGHT - 1098 Kg. [2420 LB.]  
 WET WEIGHT - 1125 Kg. [2480 LB.]

UNLESS OTHERWISE SPECIFIED - 1) DIMENSIONS ARE IN MILLIMETERS 2) TOLERANCES ARE: X.XX ± X.X ± X ± ANGLES ±		SURFACE FINISH ✓ MAX.	
<b>KOHLER CO.</b>			
POWER SYSTEMS, KOHLER, WI 53044 U.S.A. THIS DRAWING, IN DESIGN AND DETAIL, IS KOHLER CO. PROPERTY AND MUST NOT BE USED EXCEPT IN CONNECTION WITH KOHLER CO. WORK. ALL RIGHTS OF DESIGN OR INVENTION ARE RESERVED.			
THIRD ANGLE PROJECTION		TITLE <b>DIMENSION PRINT</b>	
APPROVALS	DATE	SCALE	PLOTTED DATE
DRAWN SAM	6-23-06	.2X	
CHECKED KDW	6-26-06		
APPROVED KDW	6-26-06		
DRAWN BY <b>65/55EOZD 50/40EFOZD JOHN DEERE MARINE</b>		DWG NO. ADV7141.DWG	SHEET 1-5
		ADV-7141	

REV	DATE	REVISION	BY
-	6-23-06	NEW DRAWING [78442]	SAM
A	8-9-06	SEE SHEET 1 AND 3 [78924]	SAM
B	2-5-07	(A-2) 65/55EOZD & 50/40EFOZD WAS 65EOZ/55EFOZ [80394]	DDH
C	11-6-07	(C-7,8) ENGINE AND CONTROLLER VIEWS UPDATED SEE SHEETS 1 & 3 [83222]	SEM
D	6-2-08	SEE SHEETS 1 & 3 OF 5. [85184]	GFR
E	9-9-08	SEE SHEET 1. [85000]	MRS



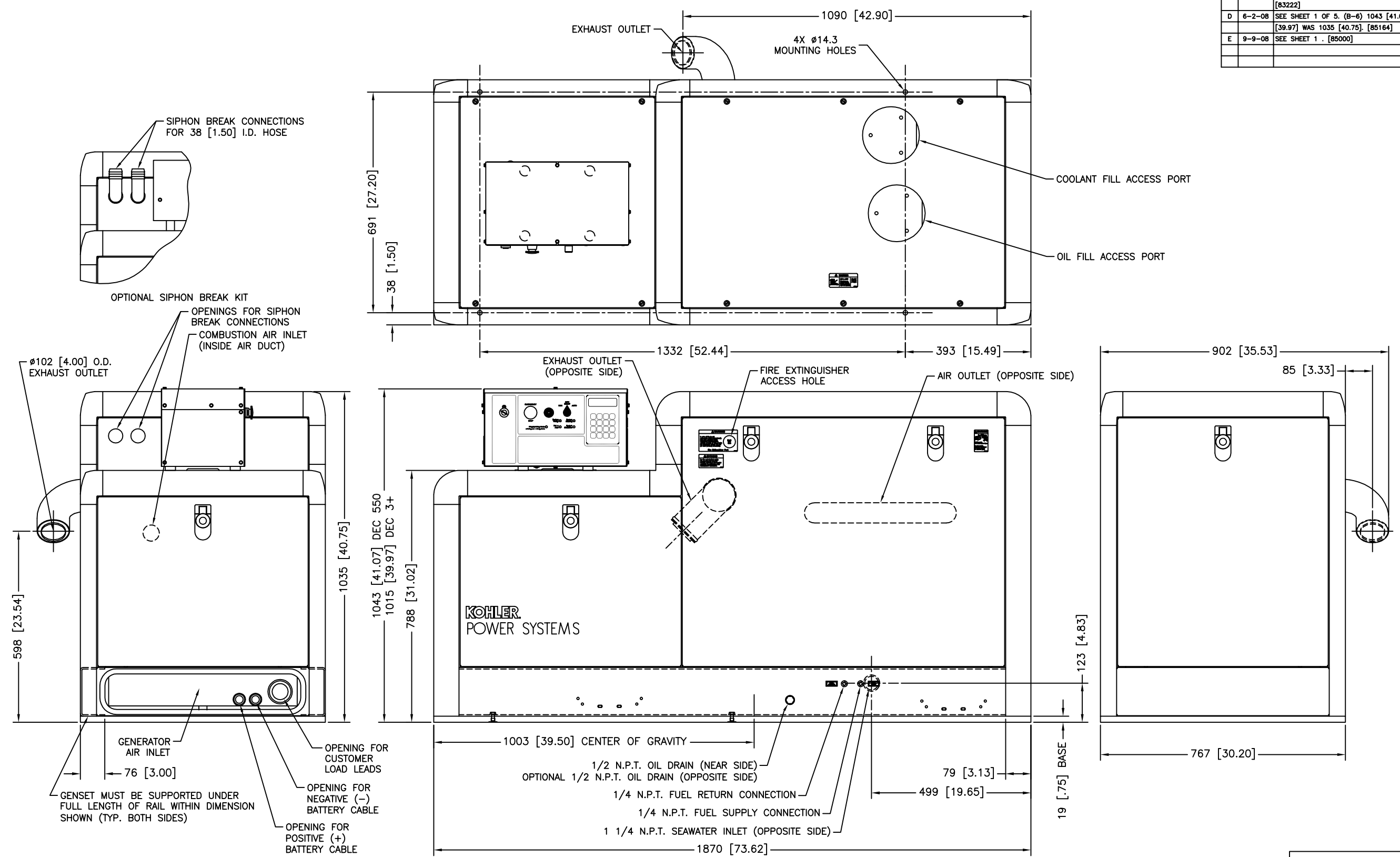
DRY EXHAUST ELBOW

NOTE:  
DIMENSIONS IN [ ] ARE IN INCH EQUIVALENTS.

METRIC CAD FILE

<small>UNLESS OTHERWISE SPECIFIED - 1) DIMENSIONS ARE IN MILLIMETERS 2) TOLERANCES ARE: XX ± X ± X ± ANGLES ±</small>		<small>SURFACE FINISH ✓ MAX.</small>		<b>KOHLER CO.</b> POWER SYSTEMS, KOHLER, WI 53044 U.S.A. <small>THIS DRAWING, IN DESIGN AND DETAIL, IS KOHLER CO. PROPERTY AND MUST NOT BE USED EXCEPT IN CONNECTION WITH KOHLER CO. WORK. ALL RIGHTS OF DESIGN OR INVENTION ARE RESERVED.</small>	
<small>THIRD ANGLE PROJECTION</small>		<small>TITLE</small> <b>DIMENSION PRINT</b>		<small>SCALE</small> .2X <small>DWG. NO.</small> ADV7141.DWG <small>SHEET</small> 2-5	
<small>APPROVALS</small> DRAWN: SAM 6-23-06 CHECKED: KDW 6-26-06 APPROVED: KDW 6-26-06		<small>DATE</small> DATE: 6-23-06 DATE: 6-26-06 DATE: 6-26-06		<small>PLOTTED DATE</small> DATE: 6-26-06	
65/55EOZD 50/40EFOZD JOHN DEERE MARINE		ADV-7141		D	

REV	DATE	REVISION	BY
C	11-6-07	(C-5,7) CONTROLLER VIEW UPDATED; SEE SHEETS 1 & 2	SEM
		[83222]	
D	6-2-08	SEE SHEET 1 OF 5. (B-6) 1043 [41.07] WAS 1063 & 1015	GFR
		[39.97] WAS 1035 [40.75]. [85164]	
E	9-9-08	SEE SHEET 1 . [85000]	MRS

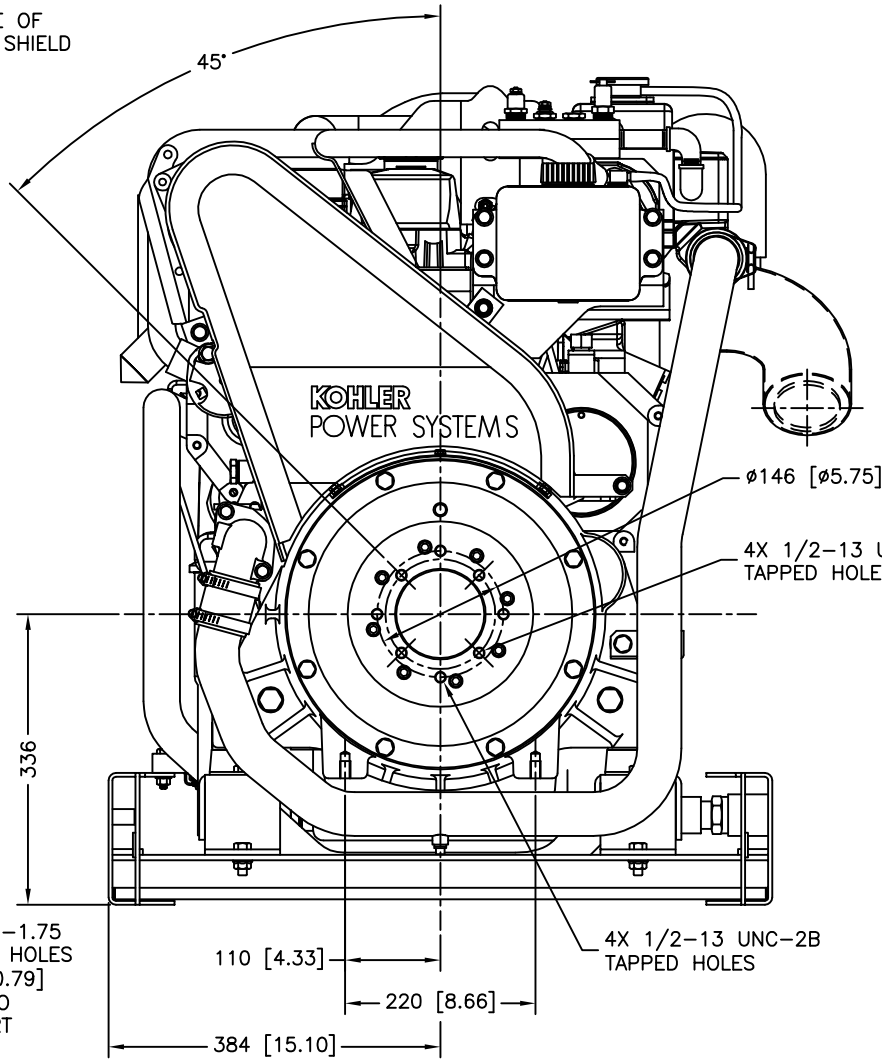
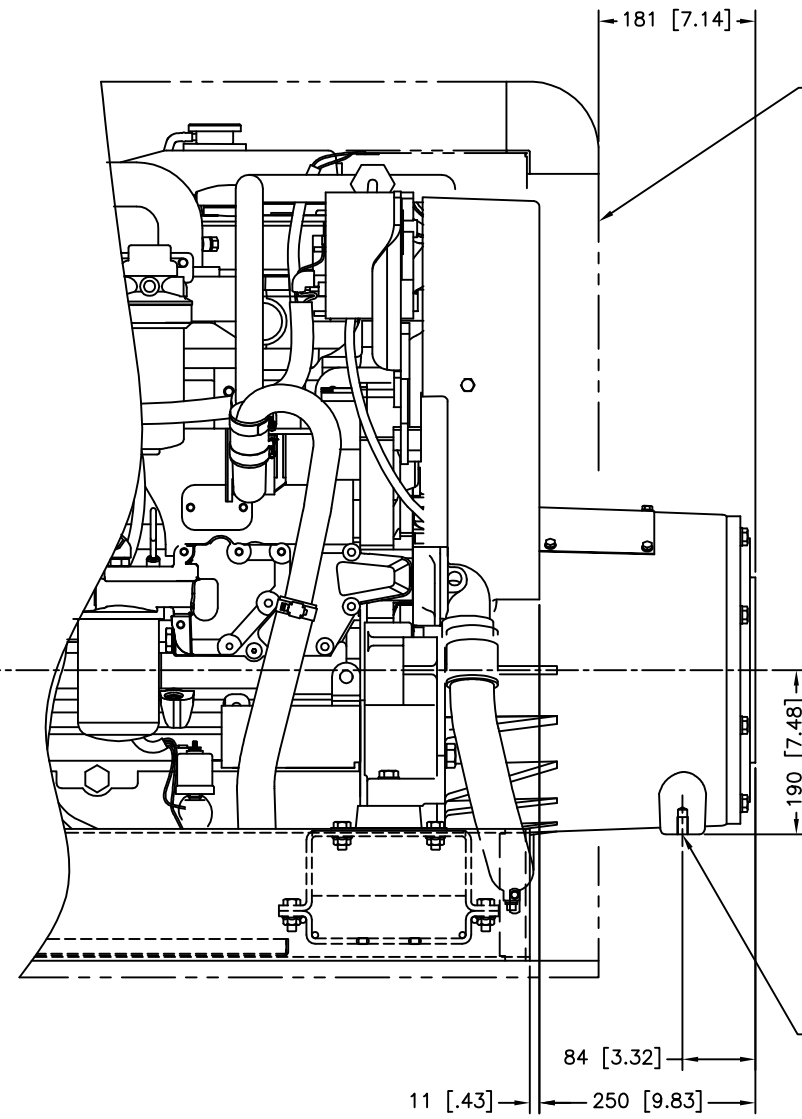


METRIC CAD FILE

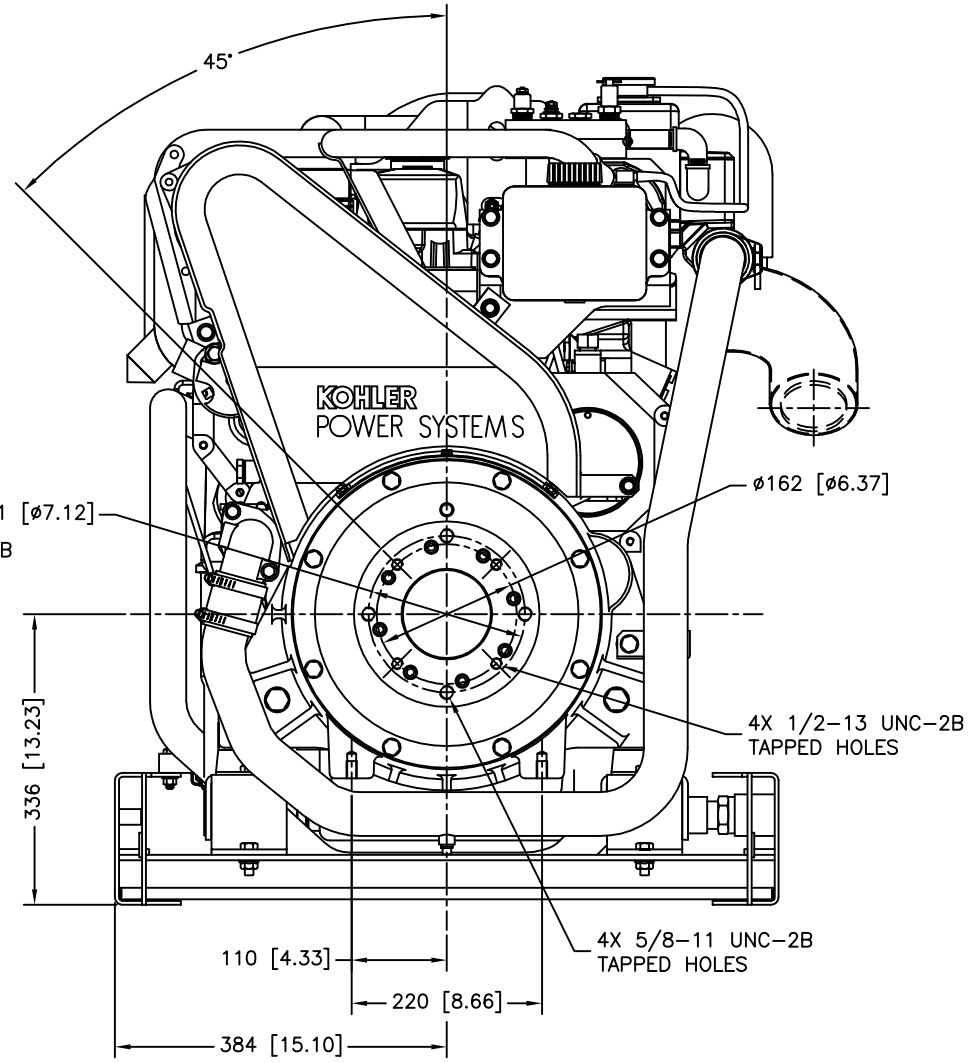
NOTES  
 DIMENSIONS IN [ ] ARE IN INCH EQUIVALENTS  
 DRY WEIGHT WITH SOUND SHIELD - 1175 Kg [2590 LB]  
 WET WEIGHT WITH SOUND SHIELD - 1202 Kg [2650 LB]

UNLESS OTHERWISE SPECIFIED - 1) DIMENSIONS ARE IN MILLIMETERS 2) TOLERANCES ARE: X.XX ± X.X ± X ± ANGLES ±		SURFACE FINISH ✓ MAX.		<b>KOHLER CO.</b> POWER SYSTEMS, KOHLER, WI 53044 U.S.A. THIS DRAWING, IN DESIGN AND DETAIL, IS KOHLER CO. PROPERTY AND MUST NOT BE USED EXCEPT IN CONNECTION WITH KOHLER CO. WORK. ALL RIGHTS OF DESIGN OR INVENTION ARE RESERVED.	
THIRD ANGLE PROJECTION		TITLE		<b>DIMENSION PRINT</b>	
APPROVALS	DATE	SCALE	CAD NO.	SHEET	
DRAWN SAM	6-23-06	0.2X	ADV7141.dwg	3-5	
CHECKED KDW	6-26-06				
APPROVED KDW	6-26-06				
65/55EOZD 50/40EFOZD JOHN DEERE MARINE				PLOT DATE ADV-7141 D	

REV	DATE	REVISION	BY
-	6-23-06	NEW DRAWING [78442]	SAM
A	8-9-06	SEE SHEET 1 AND 3 [78924]	SAM
B	2-5-07	(A-2) 65/55EOZD & 50/40EFOZD WAS 65EOZ/55EFOZ [80394]	DDH
C	11-6-07	SEE SHEETS 1, 2 AND 3 [83222]	SEM
D	6-2-08	SEE SHEETS 1 & 3 OF 5. [85164]	GFR
E	9-9-08	SEE SHEET 1. [85000]	MRS



ELECTRIC CLUTCH POWER TAKE-OFF  
SAE "B" SPLINED 2-4 BOLT HYDRAULIC PUMP MOUNTING



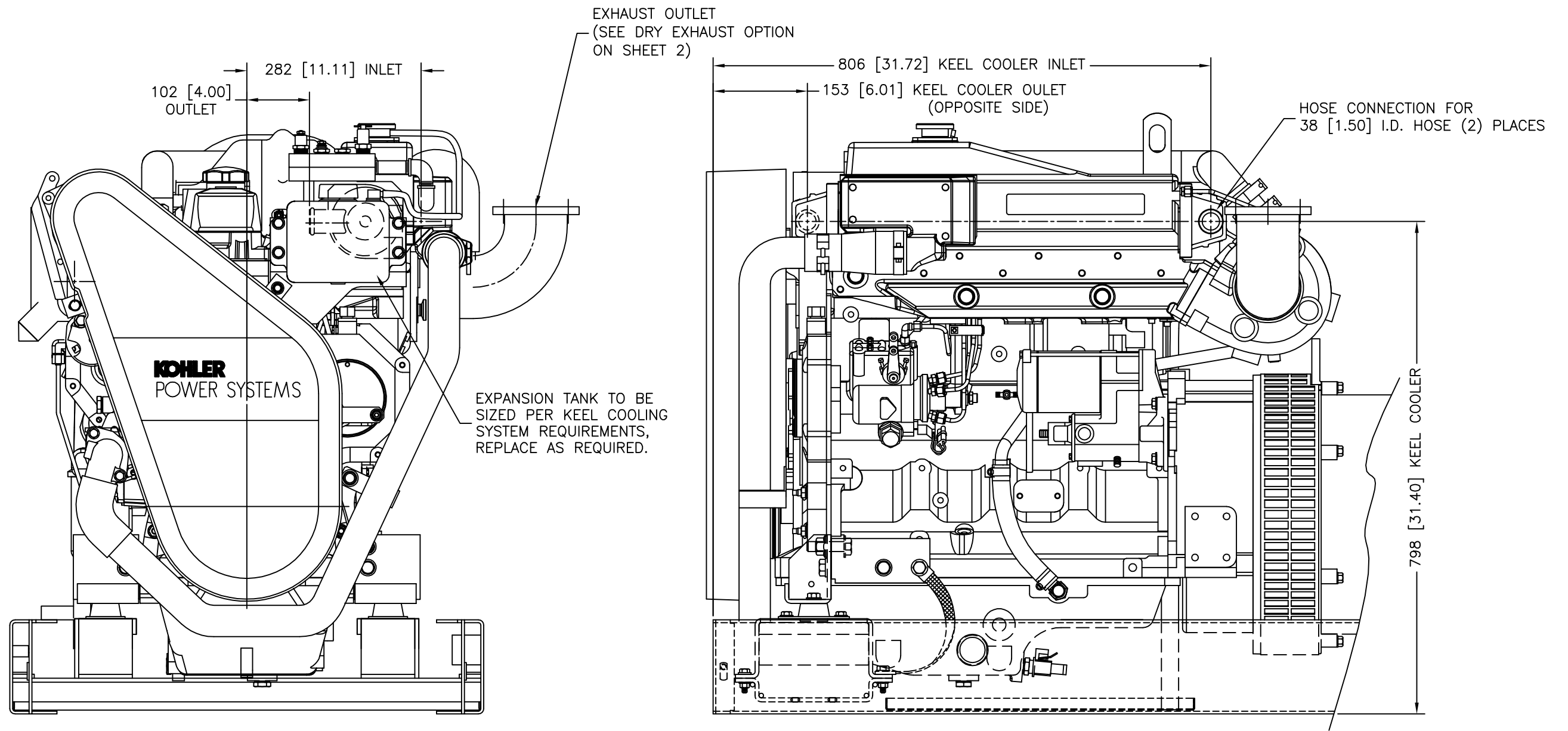
ELECTRIC CLUTCH POWER TAKE-OFF  
SAE "C" SPLINED 2-4 BOLT HYDRAULIC PUMP MOUNTING

METRIC CAD FILE

UNLESS OTHERWISE SPECIFIED - 1) DIMENSIONS ARE IN MILLIMETERS 2) TOLERANCES ARE: X.XX ± X.X ± X ± ANGLES ±		SURFACE FINISH ✓ MAX.		TITLE <b>KOHLER CO.</b> POWER SYSTEMS, KOHLER, WI 53044 U.S.A. THIS DRAWING, IN DESIGN AND DETAIL, IS KOHLER CO. PROPERTY AND MUST NOT BE USED EXCEPT IN CONNECTION WITH KOHLER CO. WORK. ALL RIGHTS OF DESIGN OR INVENTION ARE RESERVED.	
THIRD ANGLE PROJECTION		APPROVALS		DIMENSION PRINT	
APPROVED	DATE	DRAWN	DATE	SCALE	CAD NO.
KDW	6-26-06	SAM	6-23-06	0.25X	ADV7141.DWG
CHECKED	DATE	DATE	DATE	SHEET	
KDW	6-26-06	6-26-06	6-26-06	4-5	
DRAWN BY				DWG. NO.	
SAM				ADV-7141	
CHECKED BY				PLOTTED DATE	
KDW					

65/55EOZD  
50/40EFOZD  
JOHN DEERE MARINE

REV	DATE	REVISION	BY
-	6-23-06	NEW DRAWING [78442]	SAM
A	8-9-06	SEE SHEETS 1 AND 3 [78924]	SAM
B	2-5-07	(A-2) 65/55EOZD & 50/40EFOZD WAS 65EOZ/55EFOZ [80394]	DDH
C	11-6-07	SEE SHEETS 1, 2 AND 3 [83222]	SEM
D	6-2-08	SEE SHEETS 1 & 3 OF 5. [85164]	GFR
E	9-9-08	SEE SHEET 1 . [85000]	MRS



KEEL COOLING OPTION  
INCLUDES DRY EXHAUST SEE SHEET 2

METRIC CAD FILE

UNLESS OTHERWISE SPECIFIED -  
1) DIMENSIONS ARE IN MILLIMETERS  
2) TOLERANCES ARE:  
XX.X ± SURFACE FINISH  
X.X ± MAX.  
X ±  
ANGLES ±

THIRD ANGLE PROJECTION

APPROVALS DATE  
DRAWN SAM 6-23-06  
CHECKED KDW 6-26-06  
APPROVED KDW 6-26-06

TITLE  
DIMENSION PRINT

POWER SYSTEMS, KOHLER, WI 53044 U.S.A.  
THIS DRAWING, IN DESIGN AND DETAIL, IS KOHLER CO. PROPERTY AND  
MUST NOT BE USED EXCEPT IN CONNECTION WITH KOHLER CO. WORK.  
ALL RIGHTS OF DESIGN OR INVENTION ARE RESERVED.

65/55EOZD  
50/40EFOZD  
JOHN DEERE MARINE

SCALE .25X CNO NO. ADV7141.DWG SHEET 5-5  
Dwg. No. ADV-7141