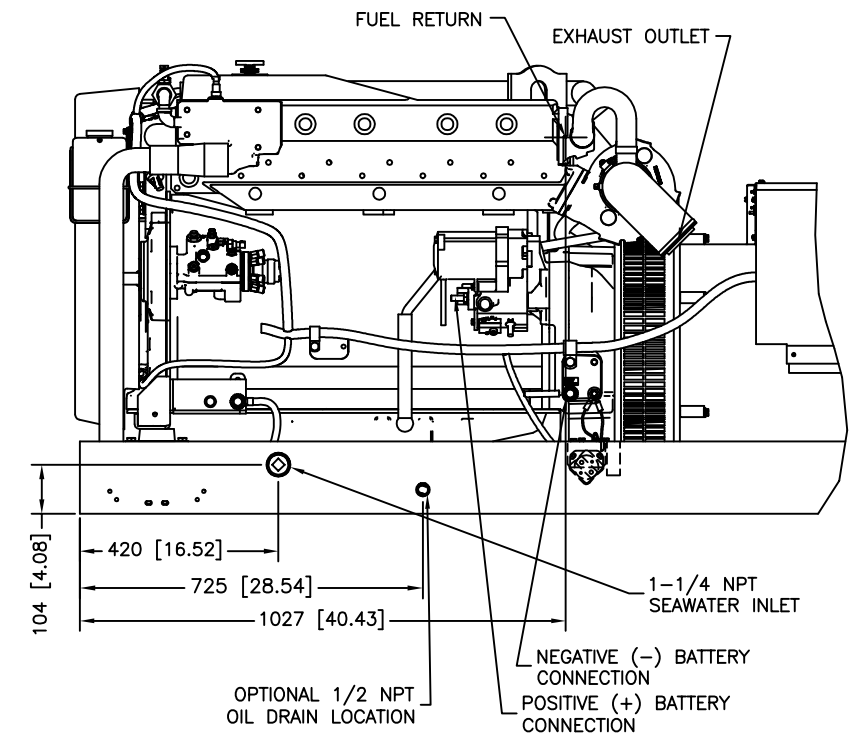
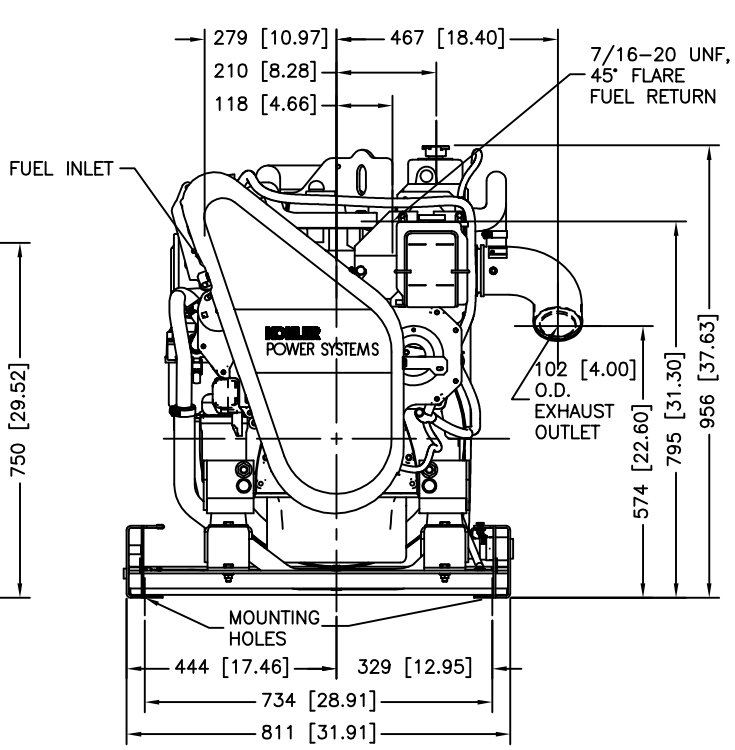
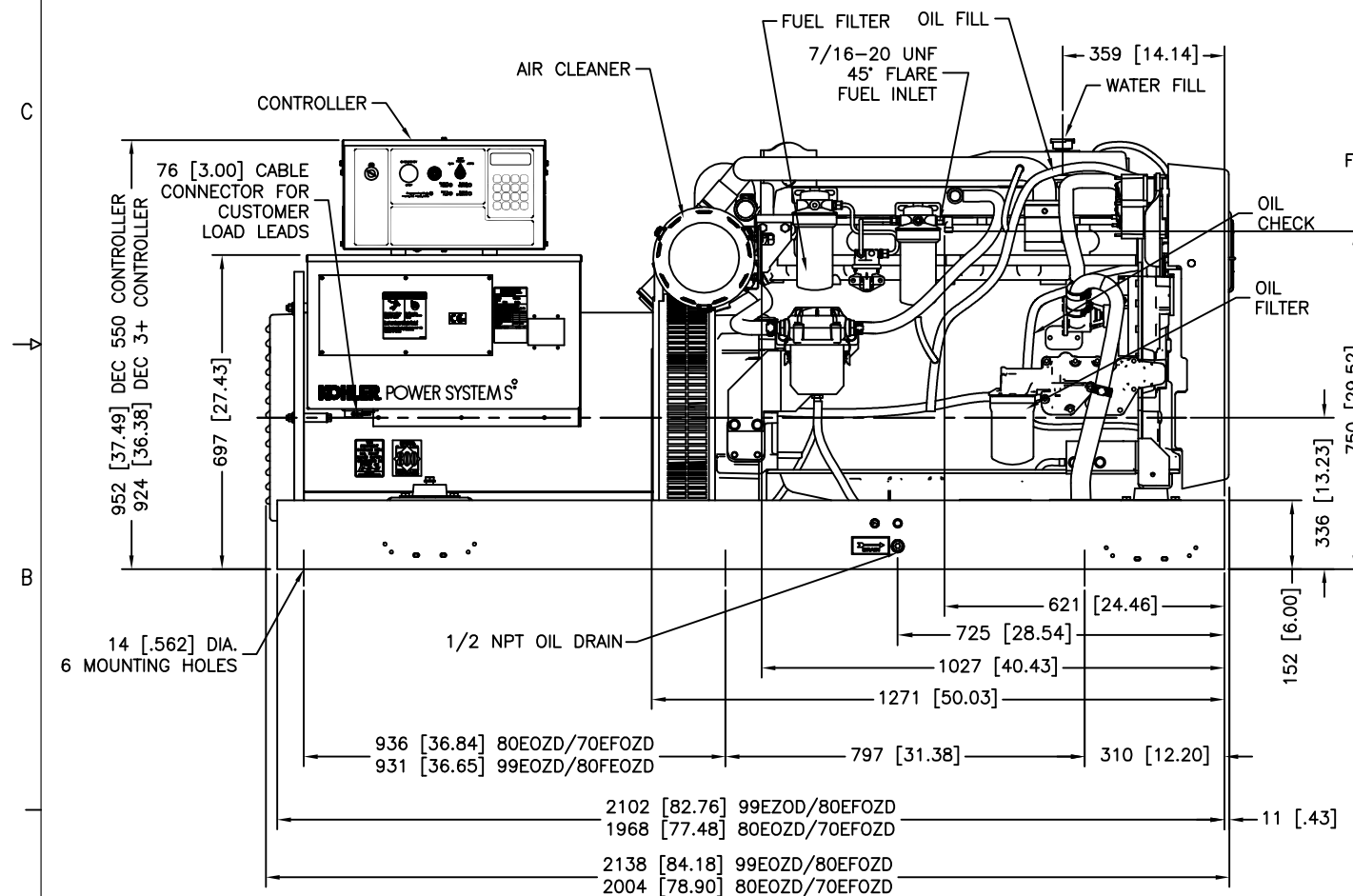


REV	DATE	REVISION	BY
-	8-15-06	NEW DRAWING [78924]	SAM
A	11-6-07	(C-7,8) DEC1 CONTROLLER DELETED; (B-1) BATTERY CONNECTION & OPT. OIL DRAIN LOCATIONS UPDATED [83222]	SEM
B	6-3-08	(B,C-8) 952 [37.49] WAS 971 [38.24] & 924 [36.38] WAS 943 [37.15]. [85164]	GFR



METRIC CAD FILE

	80 EZOZD	99EOZD
SET WEIGHT WET (LBF)	2855	3130
SET WEIGHT DRY (LBF)	2745	3020
SET WEIGHT W/SOUND SHIELD WET (LBF)	3025	3300
SET WEIGHT W/SOUND SHIELD DRY (LBF)	2915	3190
CENTER OF GRAVITY FROM ALTERNATOR END (IN)	43.9	46.4

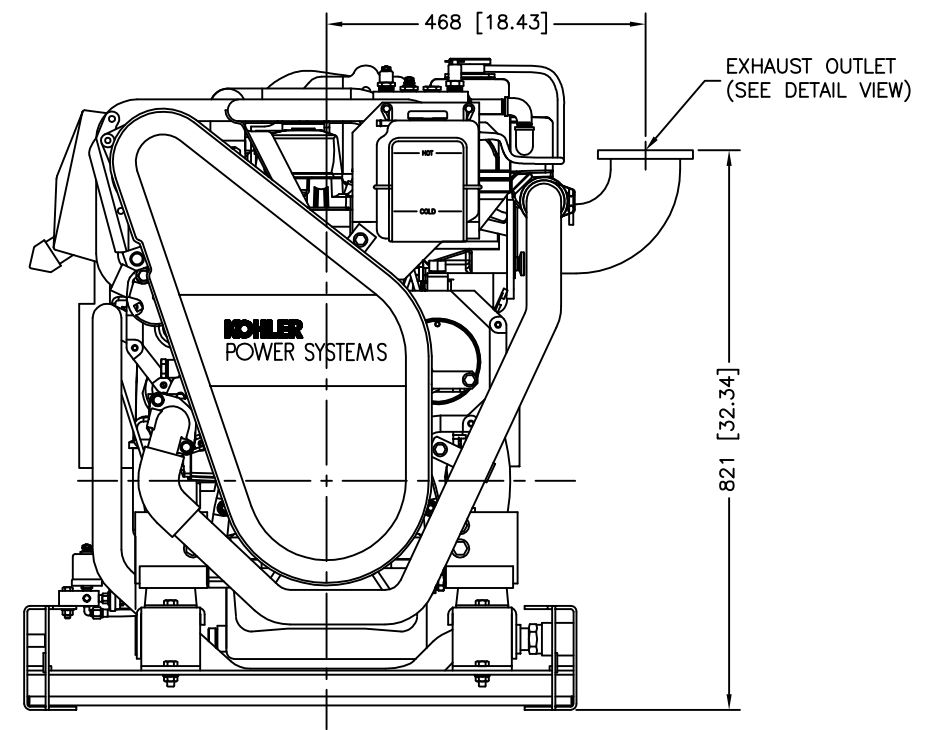
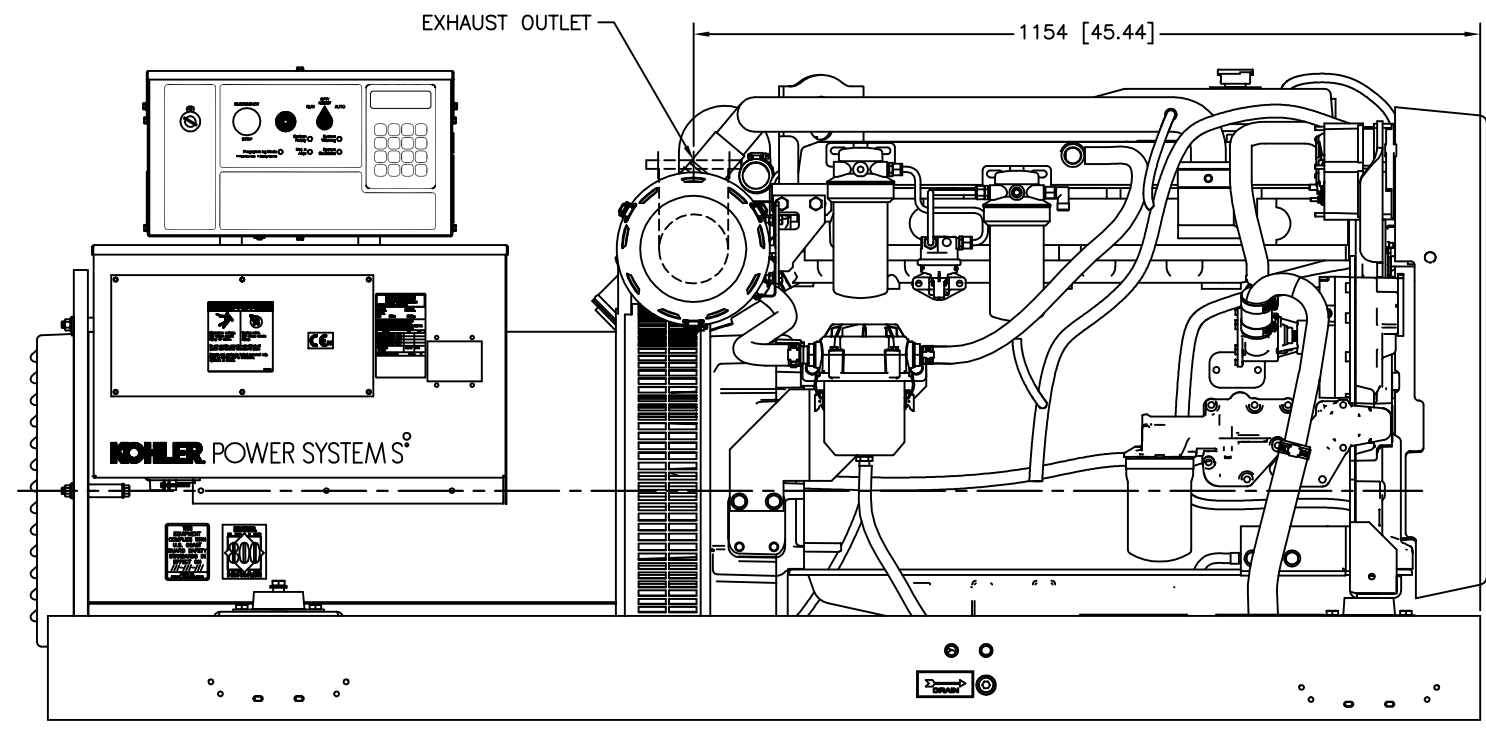
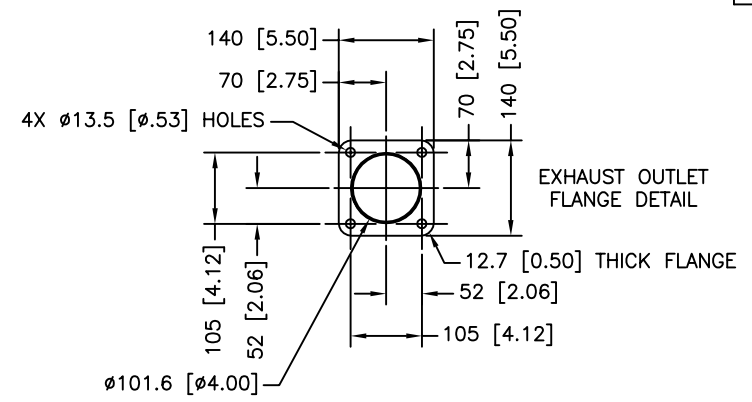
\*NOTE! CG IS FROM END OF ENCLOSURE, TO BE SHOWN ON ENCLOSURE VIEW

NOTE  
DIMENSIONS IN [ ] ARE IN INCH EQUIVALENTS.

80EOZD/70EFOZD  
99EOZD/80EFOZD  
JOHN DEERE MARINE

UNLESS OTHERWISE SPECIFIED - 1) DIMENSIONS ARE IN MILLIMETERS 2) TOLERANCES ARE: X.XX ± X.X ± X ± ANGLES ±		SURFACE FINISH MAX.		TITLE <b>KOHLER CO.</b> POWER SYSTEMS, KOHLER, WI 53044 U.S.A. THIS DRAWING, IN DESIGN AND DETAIL, IS KOHLER CO. PROPERTY AND MUST NOT BE USED EXCEPT IN CONNECTION WITH KOHLER CO. WORK. ALL RIGHTS OF DESIGN OR INVENTION ARE RESERVED.	
THIRD ANGLE PROJECTION		APPROVALS		DIMENSION PRINT	
DRAWN	SAM	DATE	8-15-06	SCALE	0.15X
CHECKED	KDW	DATE	8-16-06	DWG. NO.	ADV7166.DWG
APPROVED	JSA	DATE	8-6-06	SHEET	1-5
				PLOTTED DATE	
				ADV-7166	

REV	DATE	REVISION	BY
-	8-15-06	NEW DRAWING [78924]	SAM
A	11-6-07	(C-7,8) CONTROLLER VIEW UPDATED; SEE SHEETS 1 & 3 [83222]	SEM



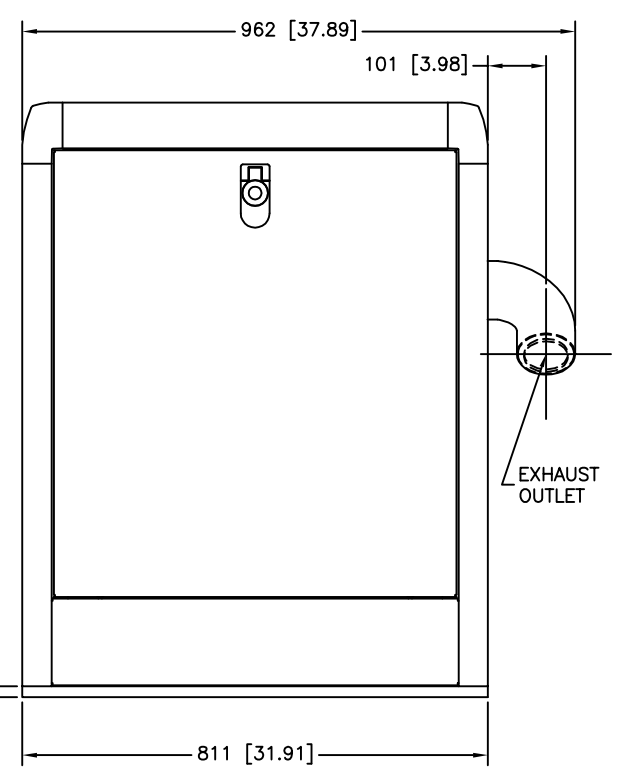
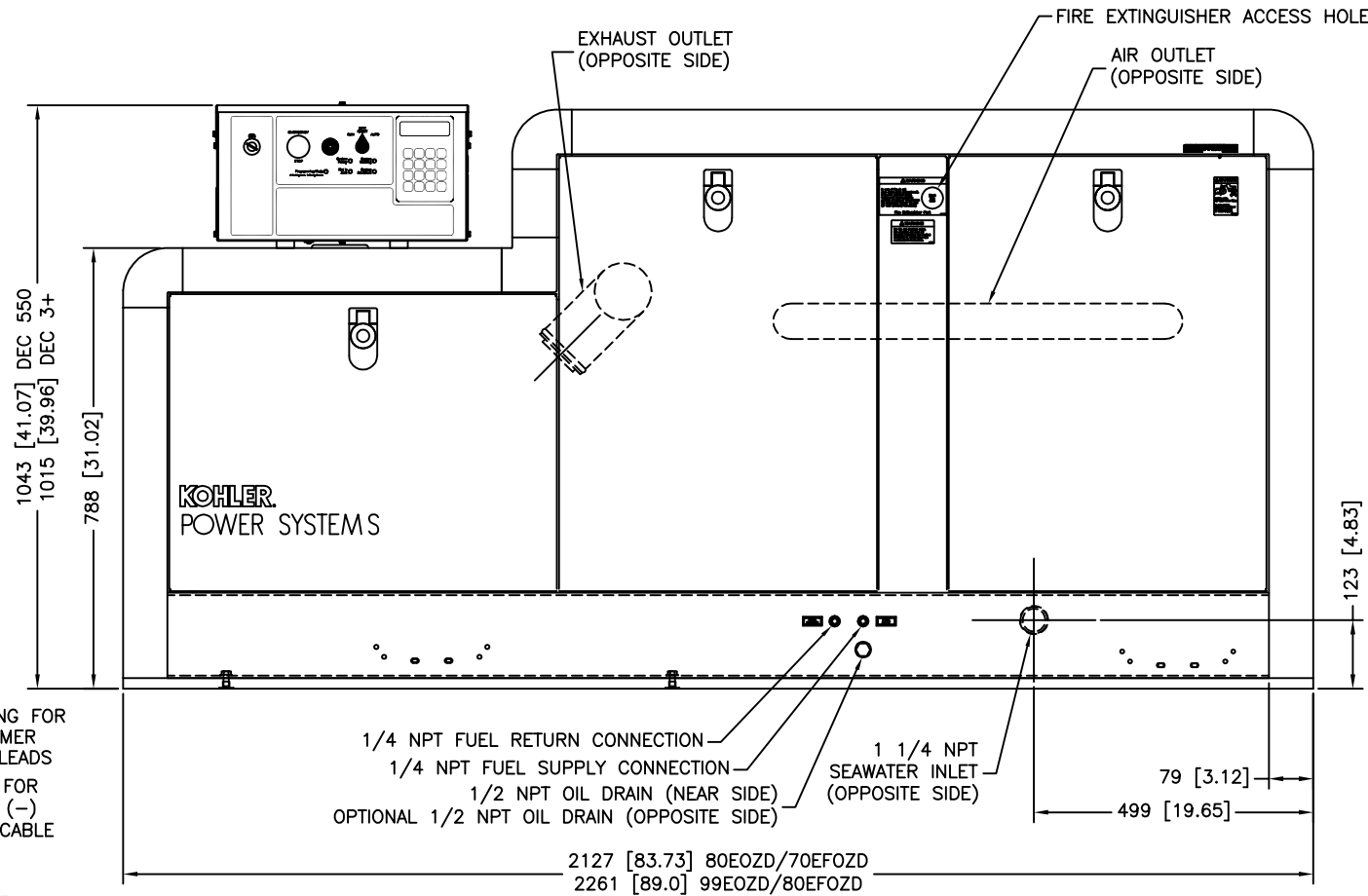
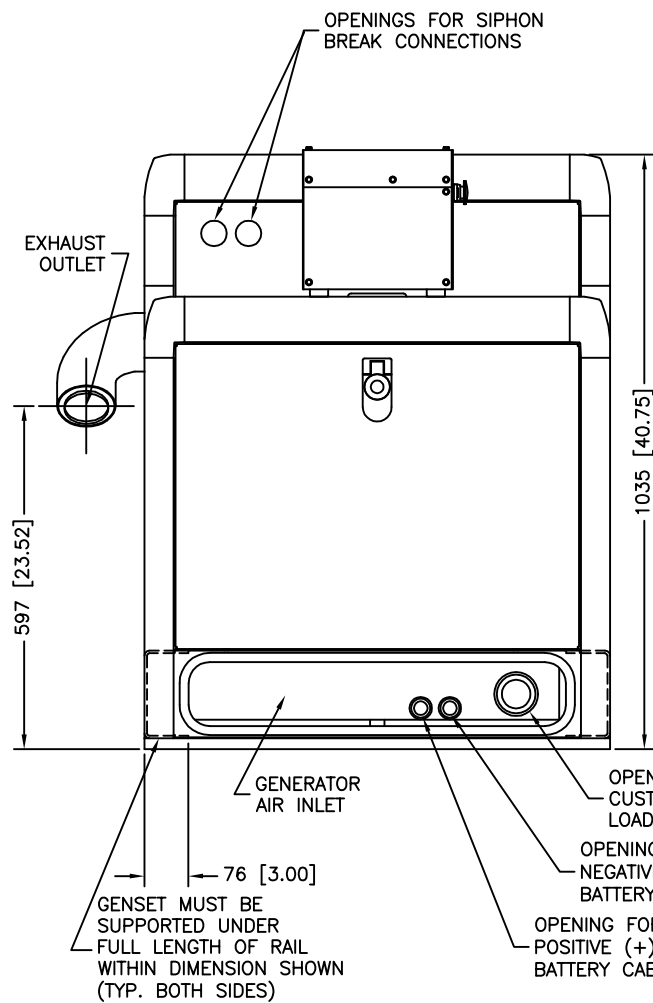
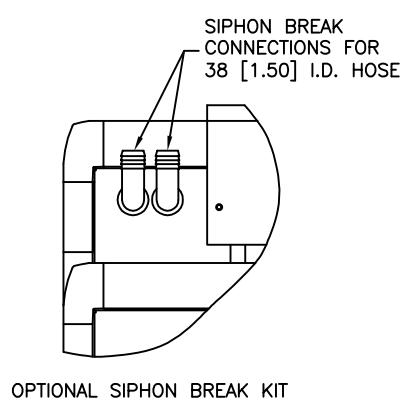
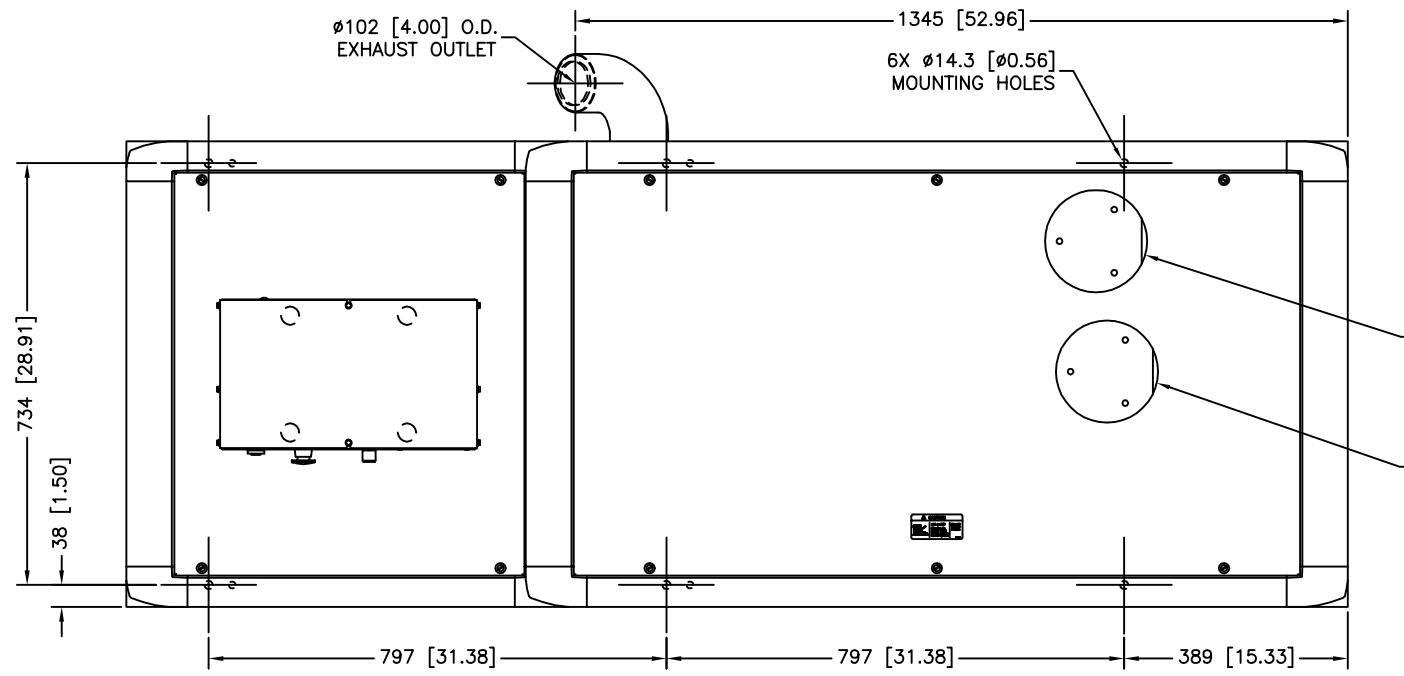
NOTES  
DIMENSIONS IN [ ] ARE IN INCH EQUIVALENTS.

METRIC CAD FILE

UNLESS OTHERWISE SPECIFIED - 1) DIMENSIONS ARE IN MILLIMETERS 2) TOLERANCES ARE: XXX ± XX ± X ± ANGLES ±		SURFACE FINISH ✓ MAX.		<b>KOHLER CO.</b> POWER SYSTEMS, KOHLER, WI 53044 U.S.A. THIS DRAWING, IN DESIGN AND DETAIL IS KOHLER CO. PROPERTY AND MUST NOT BE USED EXCEPT IN CONNECTION WITH KOHLER CO. WORK. ALL RIGHTS OF DESIGN OR INVENTION ARE RESERVED.	
THIRD ANGLE PROJECTION 		TITLE <b>DIMENSION PRINT</b>		SCALE 0.2X DWT. NO. ADV-7166.DWG SHEET 2-5	
APPROVALS	DATE	SCALE	DWT. NO.	PLOTTED DATE	
DRAWN SAM	8-15-06	0.2X	ADV-7166.DWG	8-17-06	
CHECKED KDW	8-16-06				
APPROVED JSA	8-17-06				

80EOZD/70EFOZD  
99EOZD/80EFOZD  
JOHN DEERE MARINE

REV	DATE	REVISION	BY
-	8-15-06	NEW DRAWING [78924]	SAM
A	11-6-07	(B,C-6) DEC1 CONTROLLER REMOVED; SEE SHEETS 1 & 2	SEM
B	6-3-08	(B-6) 1043 [4107] WAS 1063 [41.83] & 1015 [39.96] WAS 1035 [40.75]. [85164]	GFR



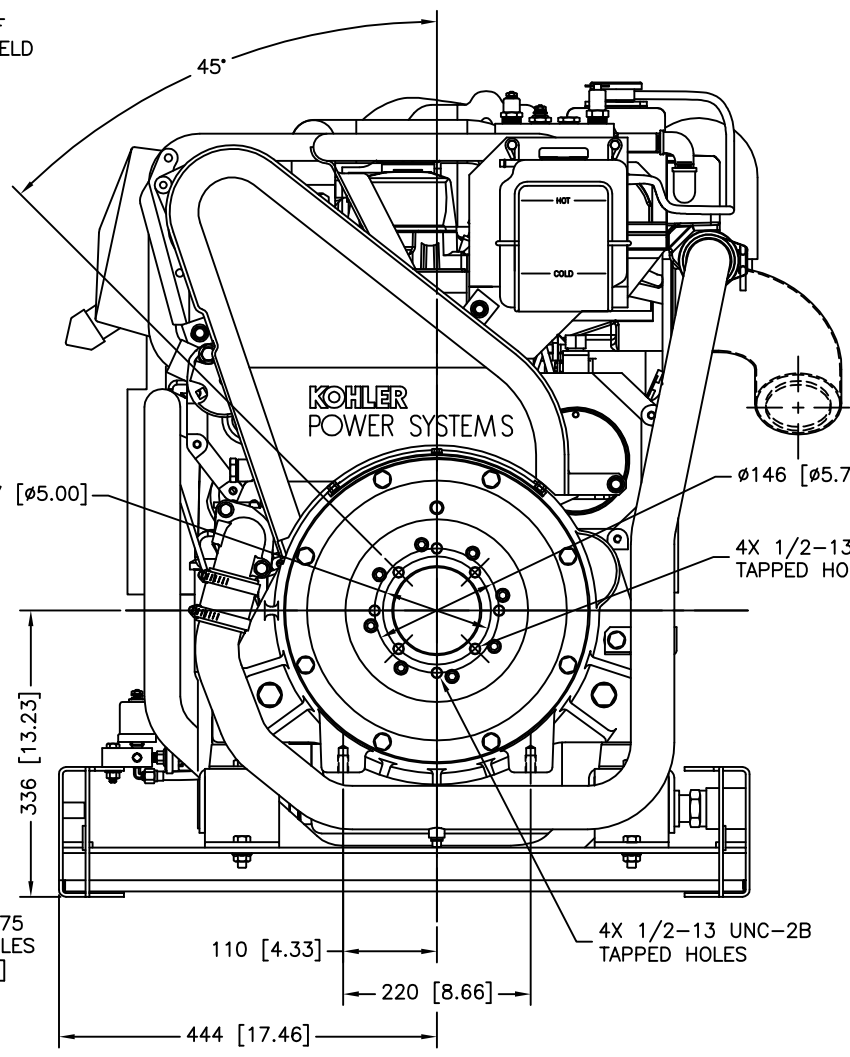
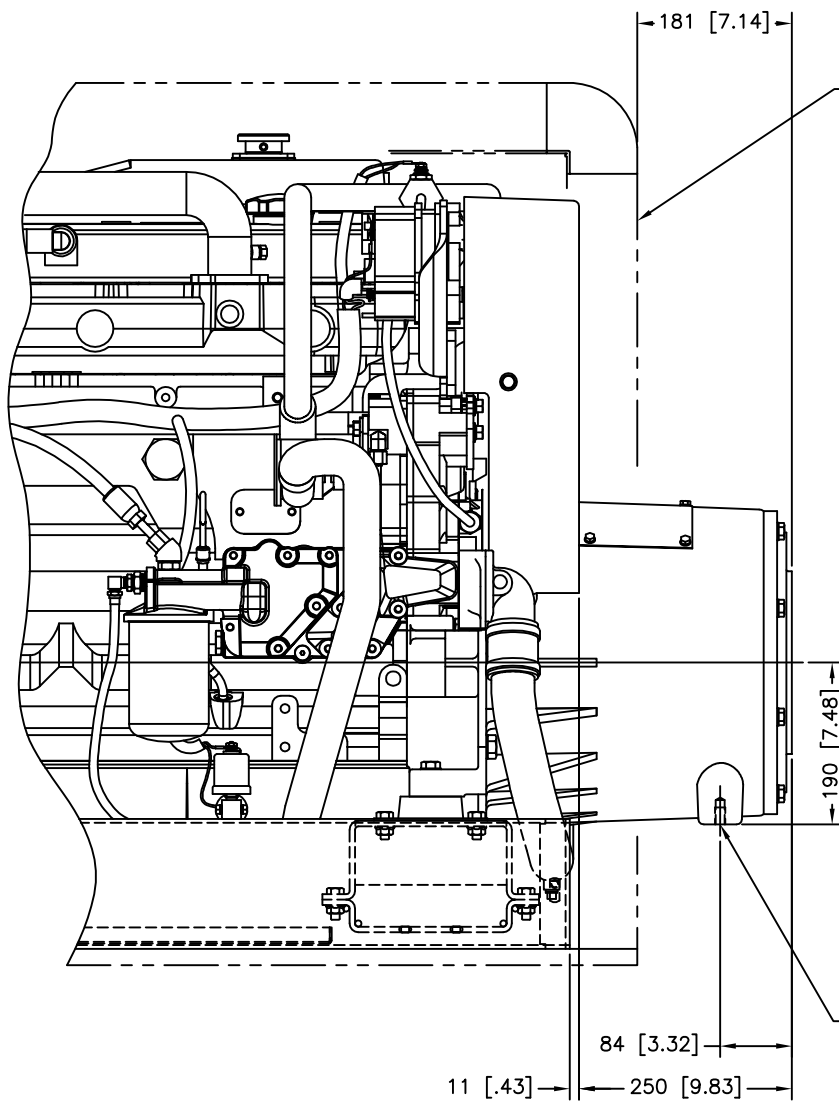
METRIC CAD FILE

NOTE:  
DIMENSIONS IN [ ] ARE IN INCH EQUIVALENTS.  
80EOZD/70EFOZD & 99EOZD/80EFOZD  
JOHN DEERE MARINE

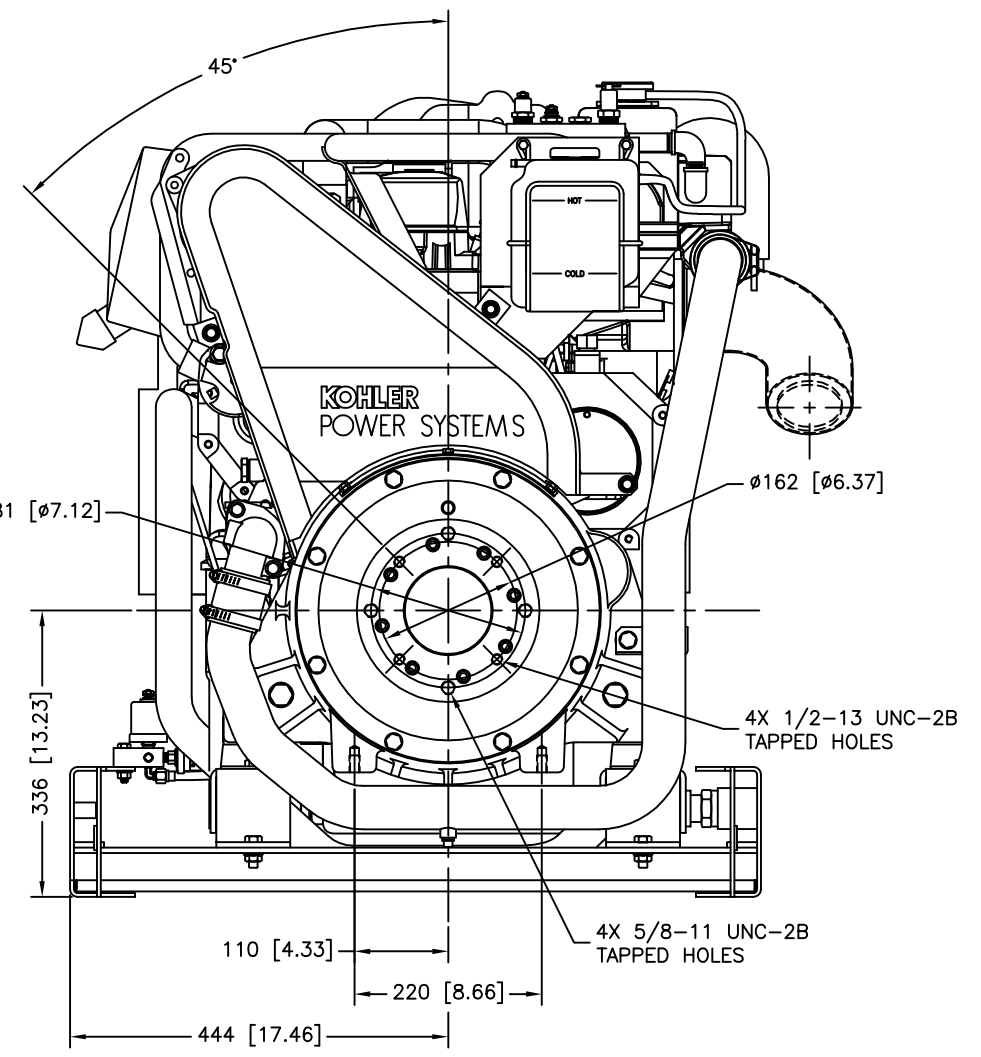
UNLESS OTHERWISE SPECIFIED - 1) DIMENSIONS ARE IN MILLIMETERS 2) TOLERANCES ARE: XXX ± XX ± X ± ANGLES ±		SURFACE FINISH ✓ MAX.		TITLE <b>KOHLER CO</b> POWER SYSTEMS, KOHLER, WI 53044 U.S.A. THIS DRAWING, IN DESIGN AND DETAIL, IS KOHLER CO. PROPERTY AND MUST NOT BE USED EXCEPT IN CONNECTION WITH KOHLER CO. WORK. ALL RIGHTS OF DESIGN OR INVENTION ARE RESERVED.	
THIRD ANGLE PROJECTION		DATE 8-15-06		SHEET 3-5	
APPROVALS DRAWN SAM		DATE 8-15-06		SCALE 0.18X	
CHECKED KDW		DATE 8-17-06		DWP. NO. ADV-7166	
APPROVED JSA		DATE 8-17-06		PLOTTED DATE	

11/24/2008 Controlled Document

REV	DATE	REVISION	BY
-	8-15-06	NEW DRAWING [78924]	SAM
A	11-6-07	SEE SHEETS 1-3 [83222]	SEM
B	6-3-08	SEE SHEETS 1 & 3 OF 5. [85164]	GFR



ELECTRIC CLUTCH POWER TAKE-OFF  
SAE "B" SPLINED 2-4 BOLT HYDRAULIC PUMP MOUNTING



ELECTRIC CLUTCH POWER TAKE-OFF  
SAE "C" SPLINED 2-4 BOLT HYDRAULIC PUMP MOUNTING

METRIC CAD FILE

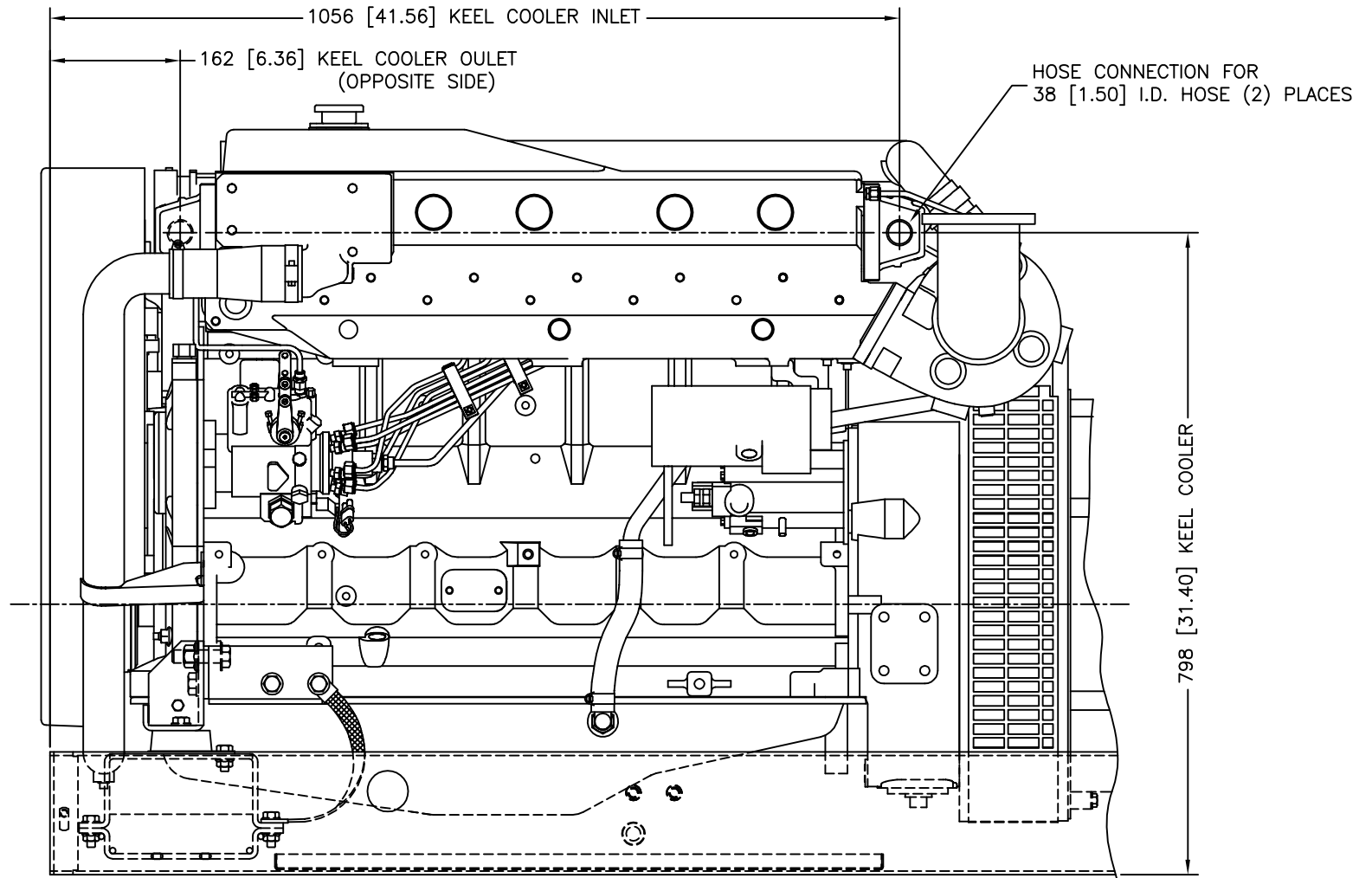
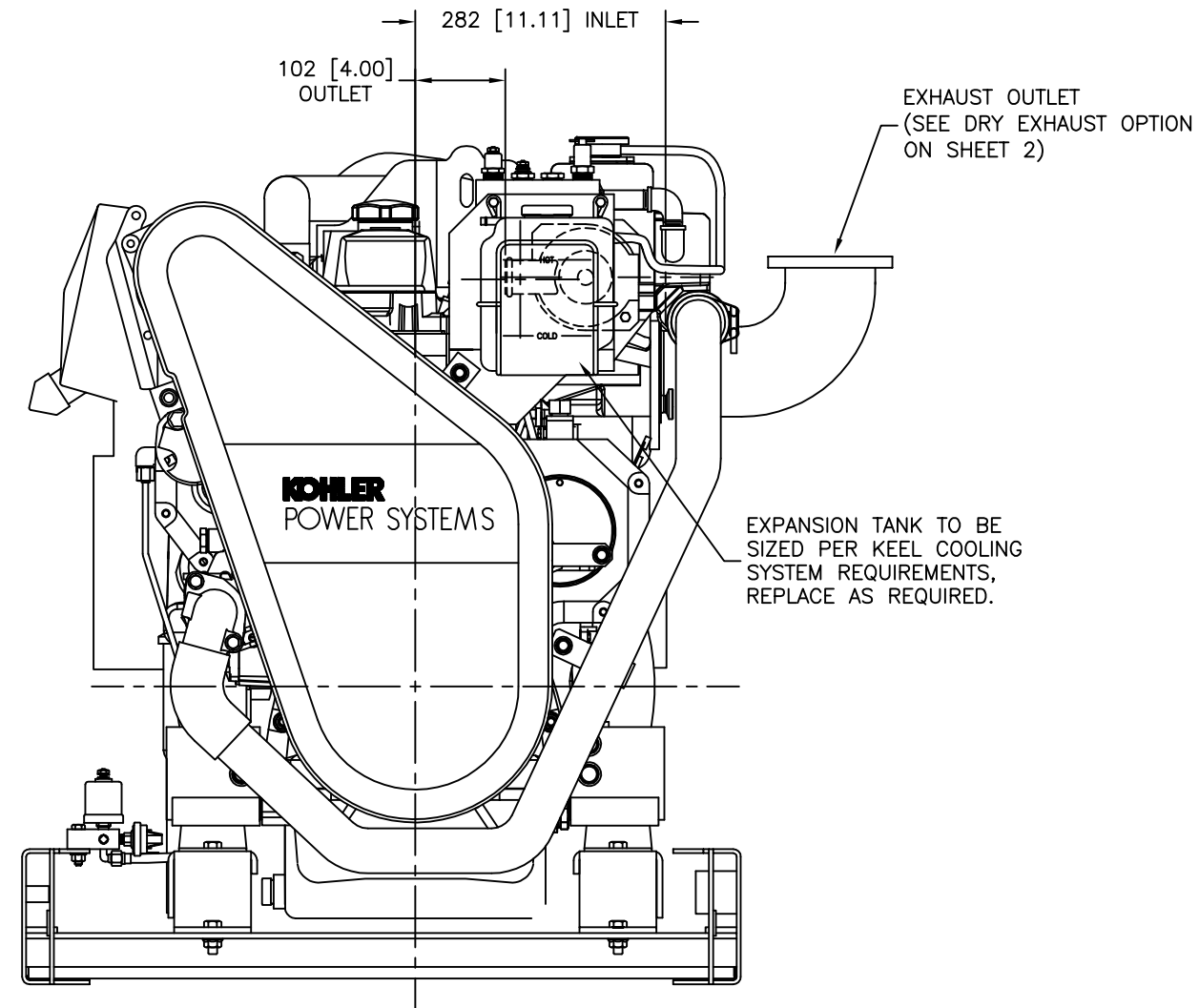
UNLESS OTHERWISE SPECIFIED - 1) DIMENSIONS ARE IN MILLIMETERS 2) TOLERANCES ARE: XX.X ± X.X ± X ± ANGLES ±		SURFACE FINISH ✓ MAX.		TITLE <b>KOHLER CO</b> POWER SYSTEMS, KOHLER, WI 53044 U.S.A. THIS DRAWING, IN DESIGN AND DETAIL, IS KOHLER CO. PROPERTY AND MUST NOT BE USED EXCEPT IN CONNECTION WITH KOHLER CO. WORK. ALL RIGHTS OF DESIGN OR INVENTION ARE RESERVED.	
THIRD ANGLE PROJECTION		APPROVALS		DIMENSION PRINT	
DRAWN	SAM	DATE	8-15-06	SCALE	0.25X
CHECKED	KDW	DATE	8-16-06	DWG. NO.	ADV7166.DWG
APPROVED	JSA	DATE	8-17-06	SHEET	4-5
				ADV-7166	

80EOZD/70EFOZD  
99EOZD/80EFOZD  
JOHN DEERE MARINE

8 7 6 5 4 3 2 1

8 7 6 5 4 3 2 1

REV	DATE	REVISION	BY
-	8-15-06	NEW DRAWING [78924]	SAM
A	11-6-07	SEE SHEETS 1-3 [83222]	SEM
B	6-3-08	SEE SHEETS 1 & 3 OF 5. [85164]	GFR



KEEL COOLER OPTION  
INCLUDES DRY EXHAUST SEE SHEET 2

METRIC CAD FILE

UNLESS OTHERWISE SPECIFIED -		TITLE	
1) DIMENSIONS ARE IN MILLIMETERS		DIMENSION PRINT	
2) TOLERANCES ARE:		DRAWN SAM 8-15-06	
X.XX ±	SURFACE FINISH	CHECKED KDW 8-16-06	SCALE 0.25X
X ±	MAX.	APPROVED JSA 8-17-06	DWG. NO. ADV-7166
ANGLES ±			SHEET 5-5
THIRD ANGLE PROJECTION		DWT. NO. ADV-7166	
APPROVALS		PLOTTED DATE	
DATE		1	

80EOZD/70EFOZD  
99EOZ/80EFOZD  
JOHN DEERE MARINE

8 7 6 5 4 3 2 1

8 7 6 5 4 3 2 1