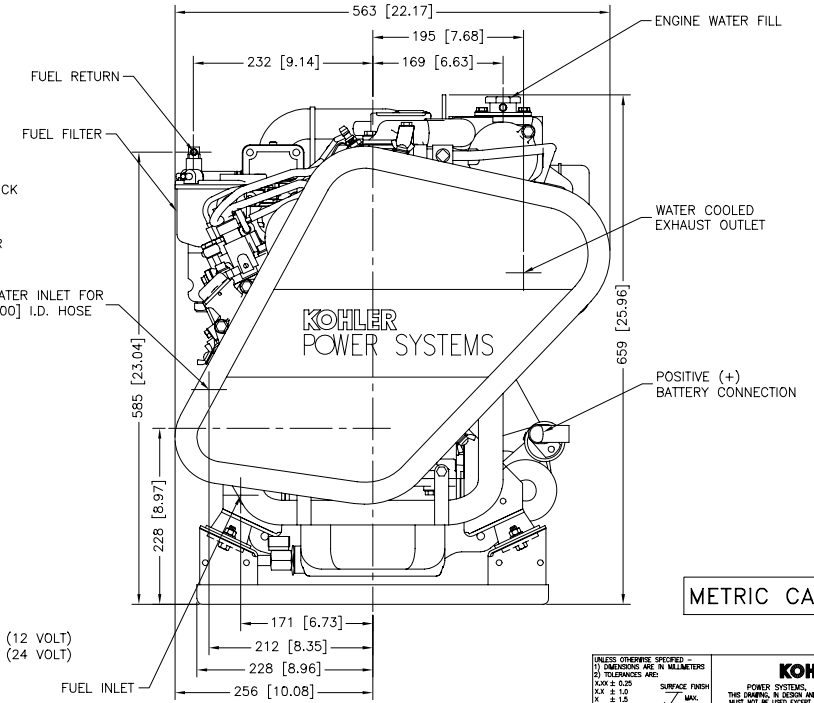
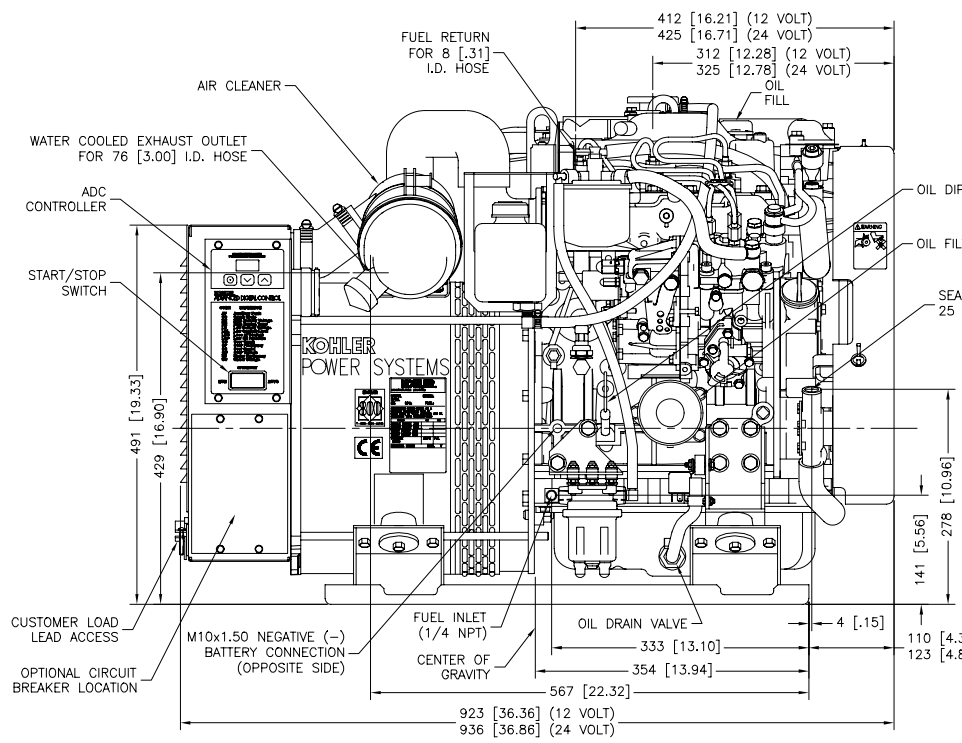
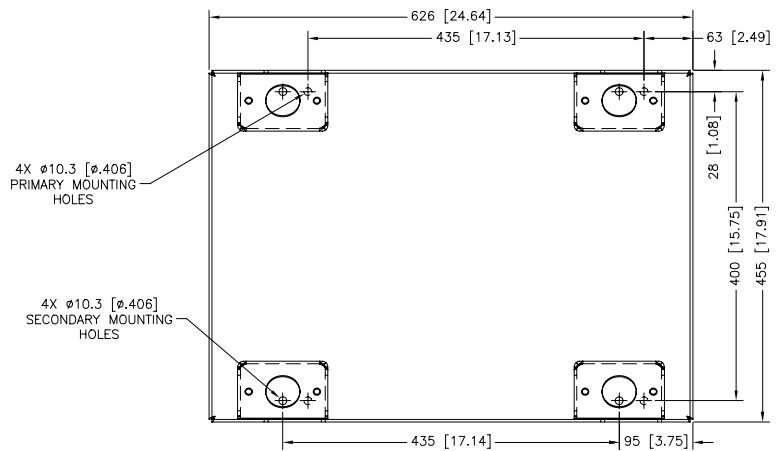


REV	DATE	REVISION	BY
-	12-8-03	NEW DRAWING [70778]	BTW
A	2-11-04	(A-7) NEGATIVE BATTERY CONNECTION RELOCATED [71492]	DDH
B	2-11-04	(A-1) SHEET 1-3 WAS 1-2 [71167]	DDH



METRIC CAD FILE

NOTE:
DIMENSION IN [] ARE INCH EQUIVALENTS.

13EOZD 3TNV88 YANMAR MARINE

13EOZD 3TNV88 YANMAR MARINE

SCALE: 35X
DATE: 12-8-03
DRAWN: DDH
APPROVED: LGB

ADDRESS: ADV-6896

1-3
D

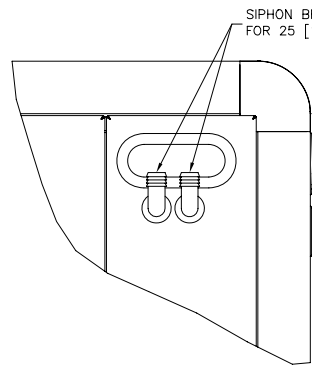
UNLESS OTHERWISE SPECIFIED -
1) DIMENSIONS ARE IN MILLIMETERS OR DECIMALS ARE
SURFACE FINISH
MAX. SURFACE FINISH
MAX. SURFACE FINISH
MAX. SURFACE FINISH

KOHLER CO.
POWER SYSTEMS, KOHLER, WI. 53044 U.S.A.
THIS DRAWING IN DESIGN AND DETAIL IS KOHLER CO. PROPERTY AND
MAY NOT BE USED WITHOUT THE WRITTEN CONSENT OF KOHLER CO. WORK
ALL RIGHTS OF DESIGN OR INVENTION ARE RESERVED.

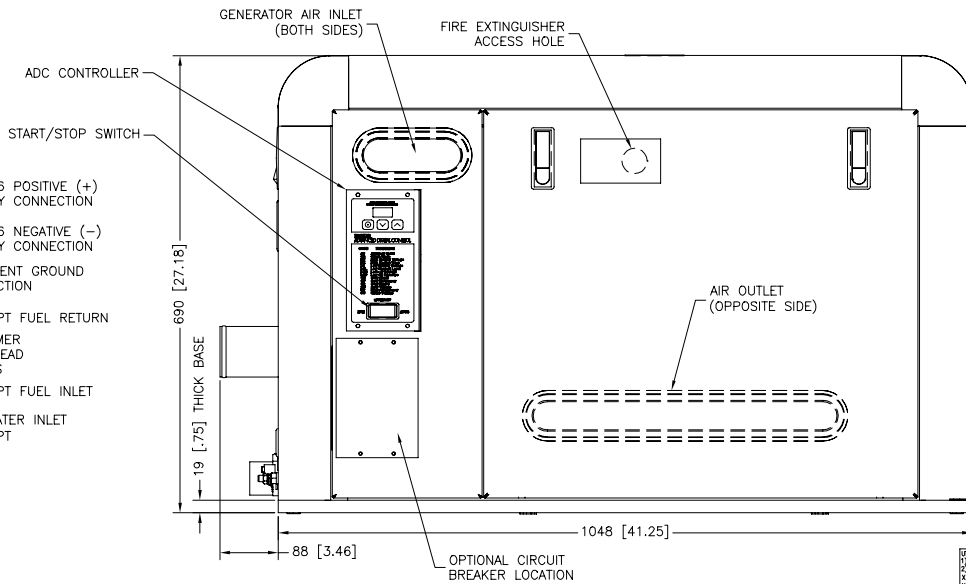
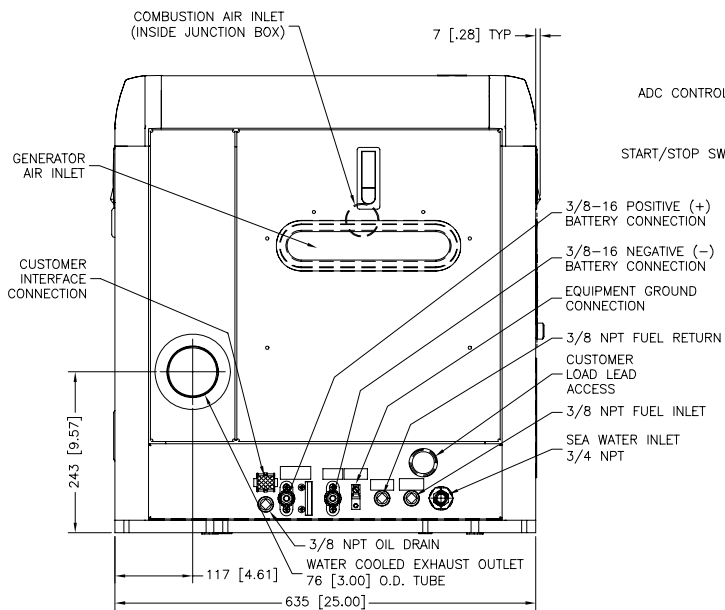
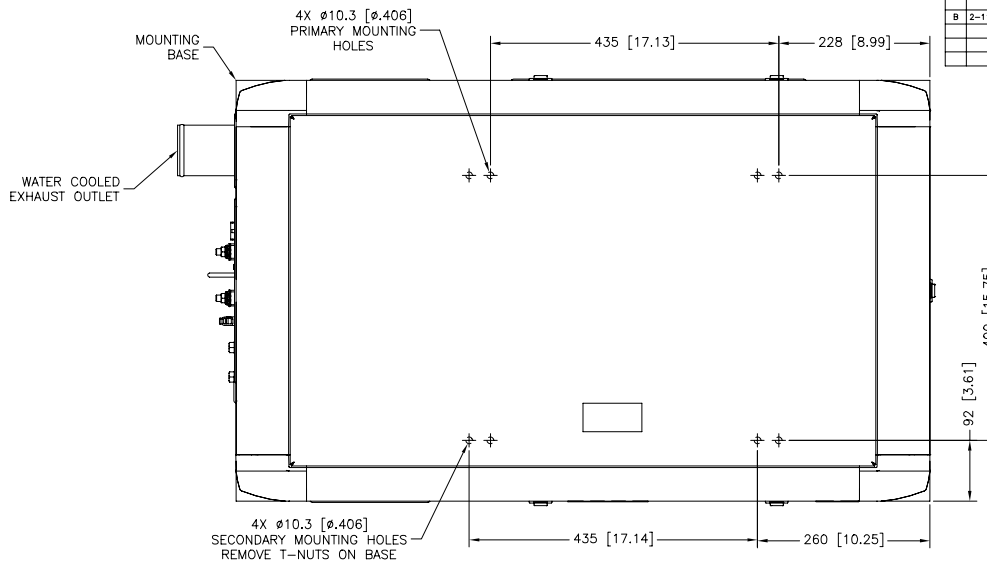
DIMENSION PRINT

1-3
ADV-6896
D

REV	DATE	REVISION	BY
-	12-8-03	NEW DRAWING [70776]	BTW
A	2-11-04	(B-E) 3/8-16 BATTERY CONNECTIONS WAS 1/4-20; VIEWS UPDATED [71492]	DDH
B	2-11-04	(A-1) SHEET 2-3 WAS 2-2 [71167]	DDH



OPTIONAL SIPHON BREAK KIT



METRIC CAD FILE

NOTE
DIMENSIONS IN [] ARE
INCH EQUIVALENTS.

APPROVALS	DATE
BTW	12-8-03
DDH	12-8-03
LBG	12-8-03

KOHLER CO.
POWER SYSTEMS, KOHLER, WI 53044 U.S.A.
THIS DRAWING IS DESIGN AND IDEAL IS KOHLER CO. PROPERTY AND
MAY NOT BE USED EXCEPT IN CONNECTION WITH KOHLER CO. WORK.
ALL RIGHTS OF DESIGN OR INVENTION ARE RESERVED.

DIMENSION PRINT

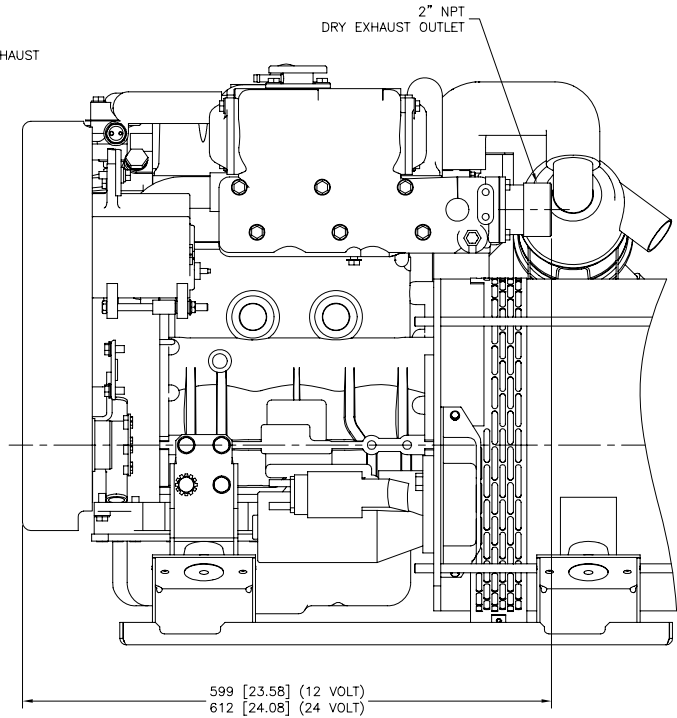
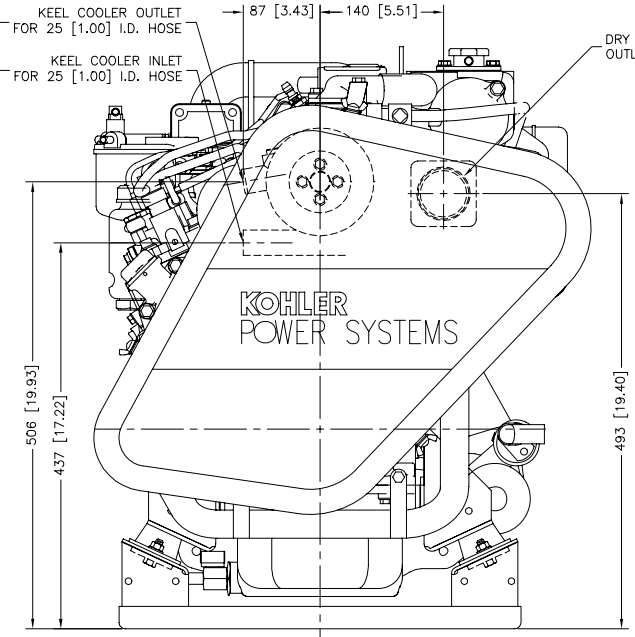
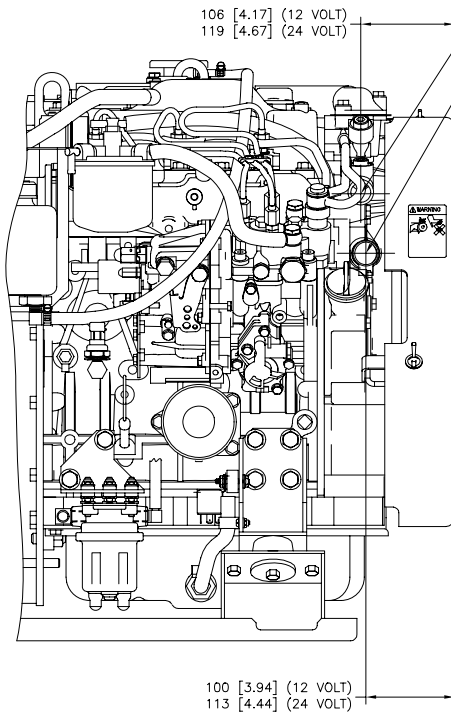
37NV88 YANMAR MARINE 13EOZD

ADV-6896

8 7 6 5 4 3 2 1

REV	DATE	REVISION	BY
B	2-11-04	SHEET 3-3 & KEEL COOLING VIEWS ADDED [71167]	DDH

D
C
B
A



KEEL COOLING OPTION WITH DRY EXHAUST

METRIC CAD FILE

NOTE: DIMENSION IN [] ARE INCH EQUIVALENTS.

UNLESS OTHERWISE SPECIFIED - 1) DIMENSIONS ARE IN MILLIMETERS OR TOLERANCES ARE: FRACTION SURFACE FINISH MAX. ANGLES & R'S		KOHLER CO. POWER SYSTEMS, KOHLER, WI. 53044 U.S.A. THIS DRAWING IN DESIGN AND DETAIL IS KOHLER CO. PROPERTY AND MAY NOT BE USED EXCEPT IN CONNECTION WITH KOHLER CO. WORK. ALL RIGHTS OF DESIGN OR INVENTION ARE RESERVED.	
APPROVALS	DATE	SCALE	DRW. NO.
DESIGNER DDH	2-11-04	CLAY	ADV8862CWC
DRAWN DDH	2-11-04		3-3
CHECKED LGB	2-11-04		ADV-6896
PUBLISHED DATE		D	

13EOZD MARINE
3TNV88 YANMAR

8 7 6 5 4 4 3 2