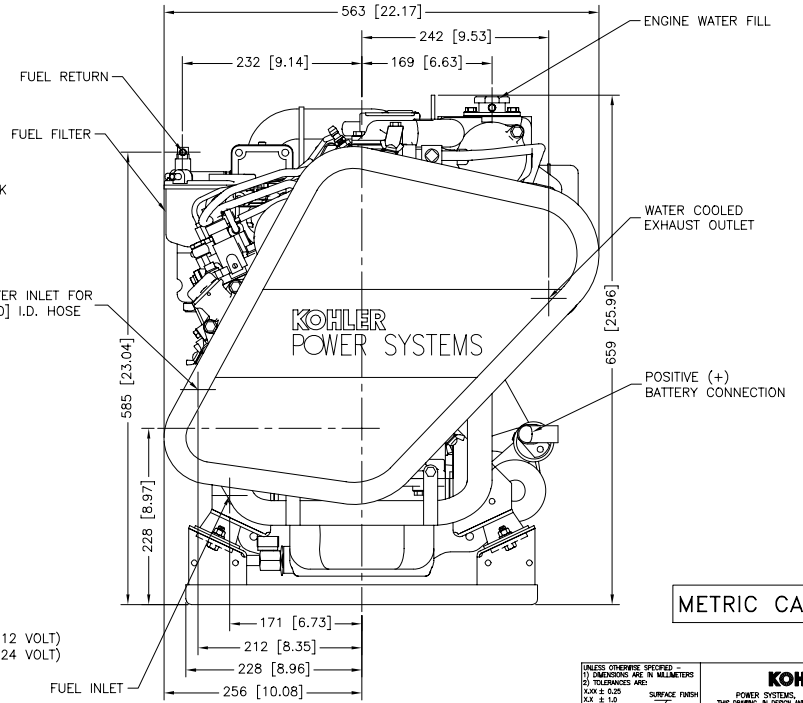
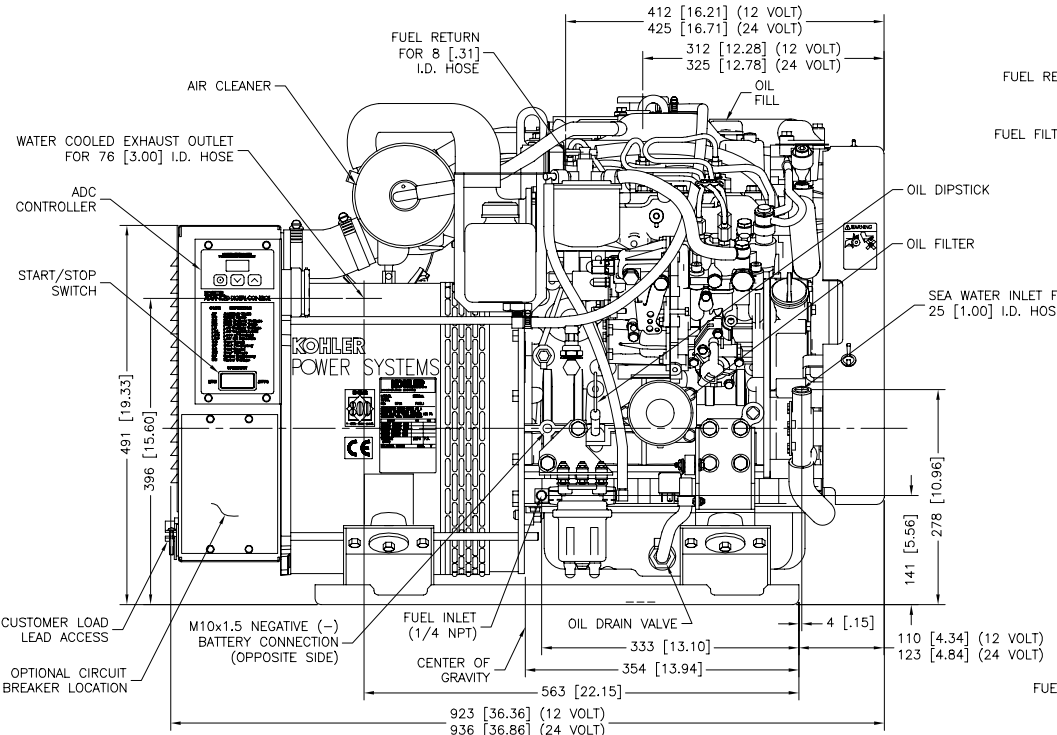
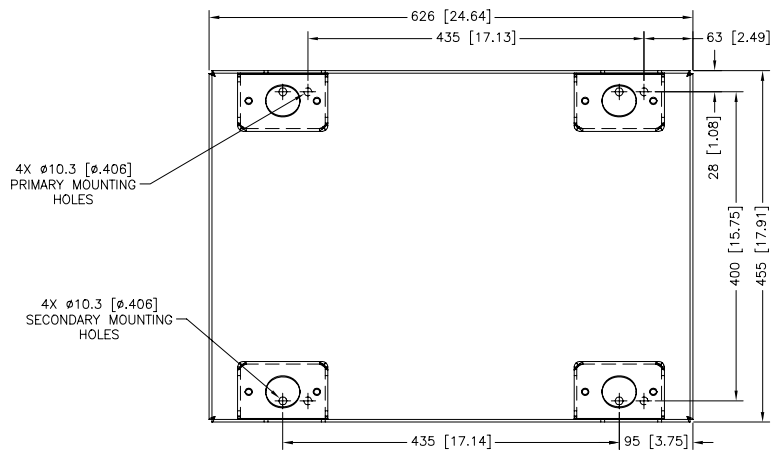


REV	DATE	REVISION	BY
-	12-8-03	NEW DRAWING [70778]	BTW
A	2-11-04	(A-7) NEGATIVE BATTERY CONNECTION RELOCATED [71492]	DDH
B	2-11-04	(A-1) SHEET 1-3 WAS 1-2 [71167]	DDH



METRIC CAD FILE

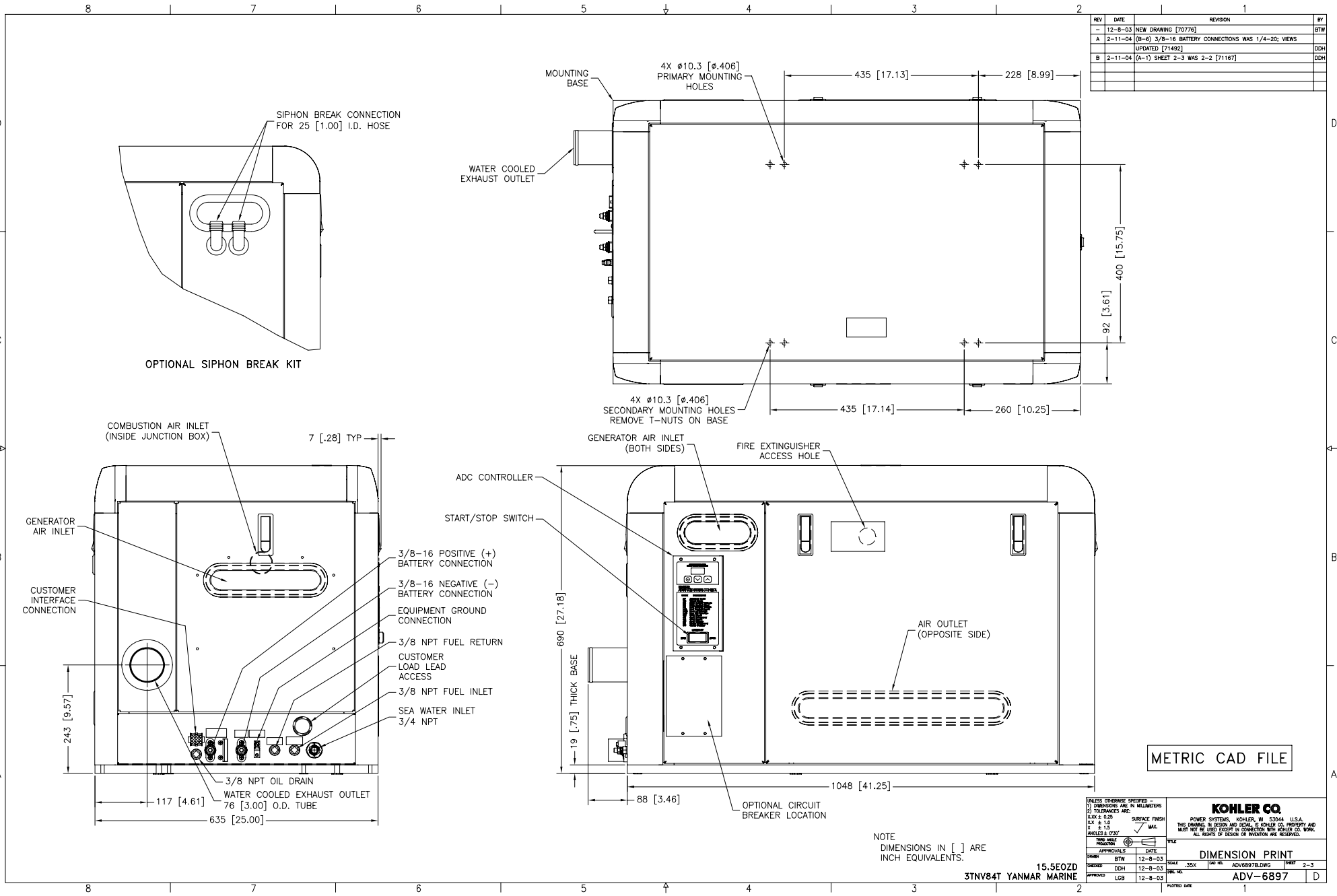
NOTE:
DIMENSION IN [] ARE INCH EQUIVALENTS.

15.5E0ZD
3TNV84T YANMAR MARINE

KOHLER CO.
POWER SYSTEMS, KOHLER, WI. 53044 U.S.A.
THIS DRAWING IN DESIGN AND DETAIL IS KOHLER CO. PROPERTY AND
MAY NOT BE USED EXCEPT IN CONNECTION WITH KOHLER CO. WORK.
ALL RIGHTS OF DESIGN OR INVENTION ARE RESERVED.

DIMENSION PRINT

SCALE: 35X
DWG NO: ADV687ADWC
SHEET: 1-3
REV. NO: ADV-6897
DATE: 12-8-03



REV	DATE	REVISION	BY
-	12-8-03	NEW DRAWING [70776]	BTW
A	2-11-04	(8-6) 3/8-16 BATTERY CONNECTIONS WAS 1/4-20; VIEWS UPDATED [71492]	DDH
B	2-11-04	(A-1) SHEET 2-3 WAS 2-2 [71167]	DDH

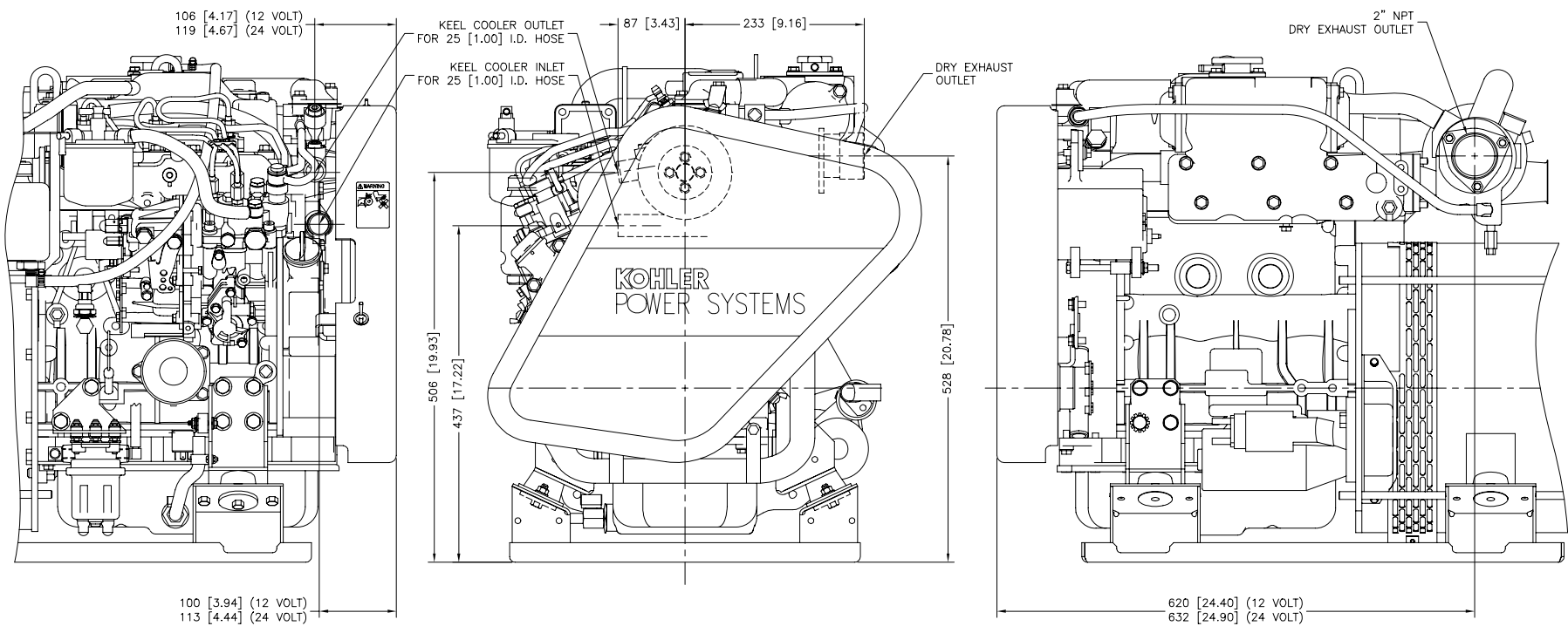
METRIC CAD FILE

UNLESS OTHERWISE SPECIFIED - 1) DIMENSIONS ARE IN MILLIMETERS OR TOLERANCES ARE: FRACTIONS SURFACE FINISH 1/4" & 1/2" MAX. 1" & 1.5" MAX. ANGLES & 3/20"		KOHLER CO. POWER SYSTEMS, KOHLER, WI 53044 U.S.A. THIS DRAWING IS DESIGN AND DETAIL IS KOHLER CO. PROPERTY AND MAY NOT BE USED EXCEPT IN CONNECTION WITH KOHLER CO. WORK. ALL RIGHTS OF DESIGN OR INVENTION ARE RESERVED.	
DIMENSION PRINT		TITLE	
APPROVALS	DATE	SCALE	DATE
BTW	12-8-03	35X	12-8-03
DDH	12-8-03	NO. ACV05897	BLDNG
LGR	12-8-03	2-3	D

NOTE
DIMENSIONS IN [] ARE
INCH EQUIVALENTS.

15.5EOZD
3TNV84T YANMAR MARINE

REV	DATE	REVISION	BY
B	2-11-04	SHEET 3-3 & KEEL COOLING VIEWS ADDED [71167]	DDH



KEEL COOLING OPTION WITH DRY EXHAUST

METRIC CAD FILE

NOTE: DIMENSION IN [] ARE INCH EQUIVALENTS.

UNLESS OTHERWISE SPECIFIED - 1) DIMENSIONS ARE IN MILLIMETERS OR UNLESS OTHERWISE NOTED		KOHLER CO. POWER SYSTEMS, KOHLER, WI. 53044 U.S.A. THIS DRAWING IS DESIGN AND DETAIL OF KOHLER CO. PROPERTY AND MAY NOT BE USED WITHOUT THE CONSENT OF KOHLER CO. WORK ALL RIGHTS OF DESIGN OR INVENTION ARE RESERVED.	
SURFACE FINISH MAX. ✓ MIN. ✓		DIMENSION PRINT	
DRAWN BY: DDH		SCALE: CLAY	
CHECKED BY: DDH		DWG. NO.: ADV6897C.DWG	
APPROVED BY: LGB		SHEET: 3-3	
DATE: 2-11-04		PRINTED DATE: ADV-6897	

15.5E0ZD
3TNV84T YANMAR MARINE