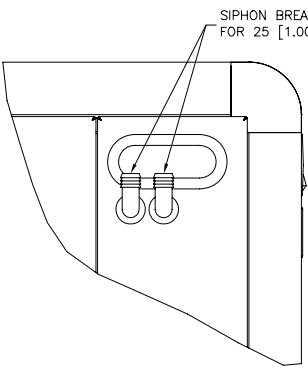
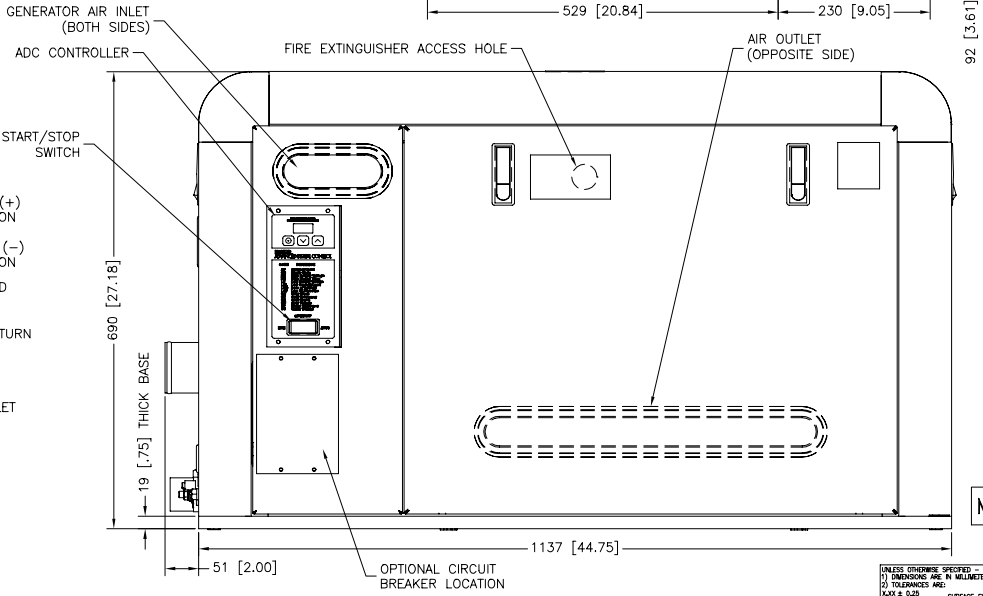
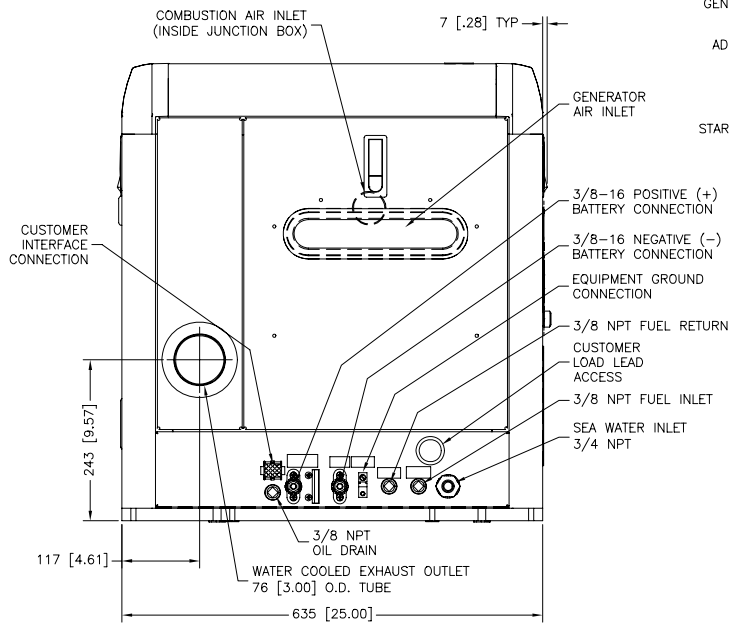
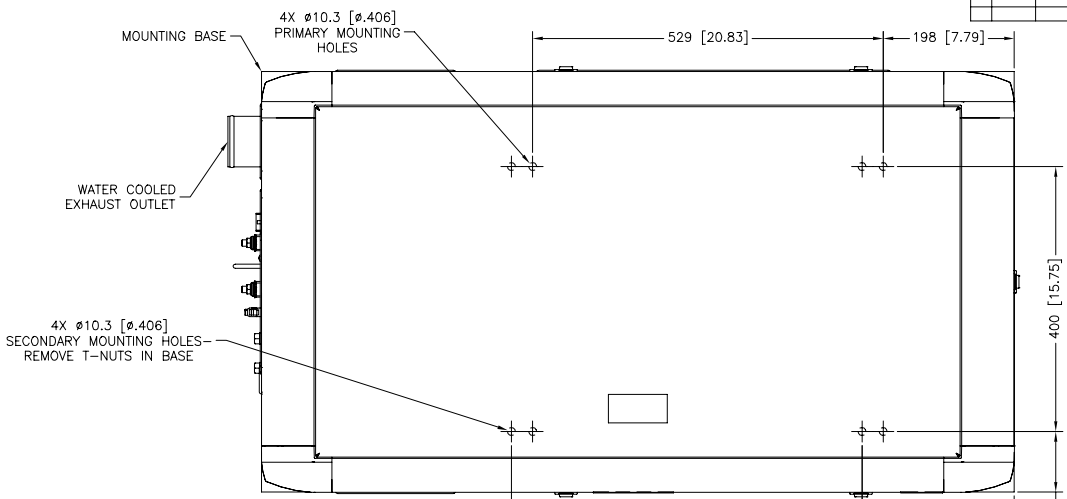




REV	DATE	REVISION	BY
-	12-8-03	NEW DRAWING [70776]	BTW
A	2-11-04	(B-6) 3/8-16 BATTERY CONNECTIONS WAS 1/4-20; VIEWS UPDATED [71492]	DDH
B	2-11-04	(A-1) SHEET 2-3 WAS 2-2 [71167]	DDH



OPTIONAL SIPHON BREAK KIT



METRIC CAD FILE

NOTE:  
DIMENSION IN [ ] ARE INCH EQUIVALENTS.

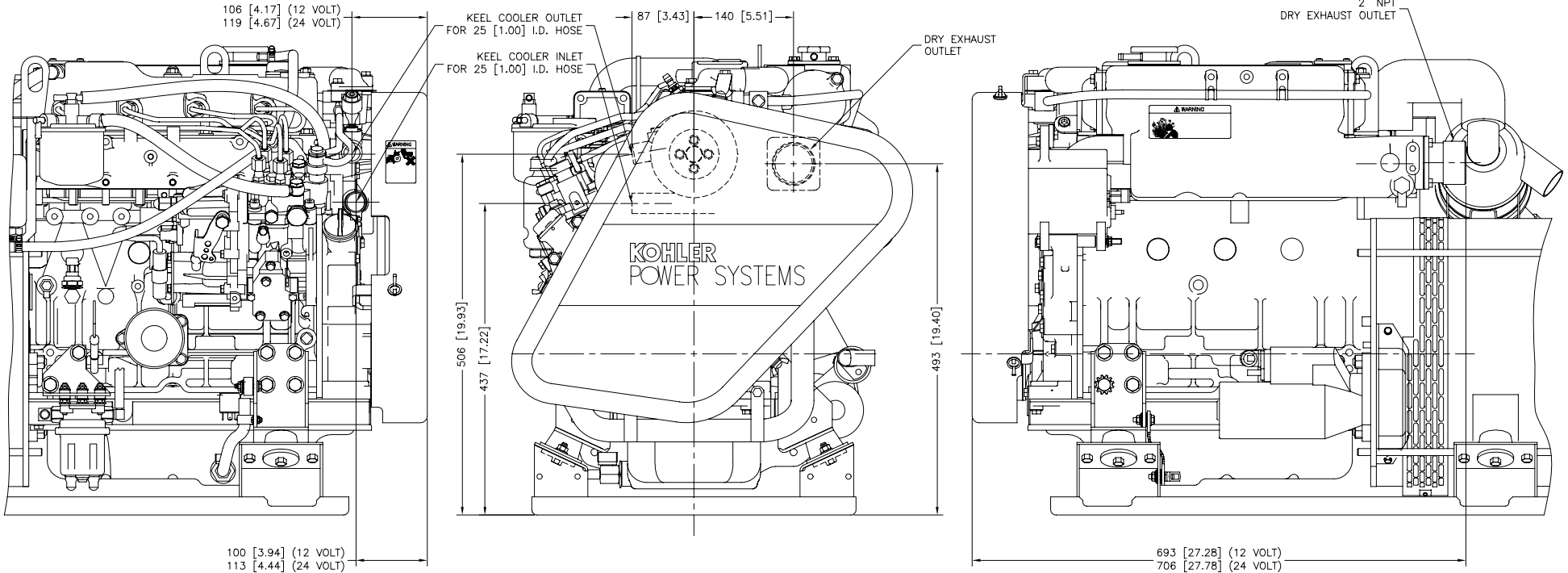
UNLESS OTHERWISE SPECIFIED - 1) DIMENSIONS ARE IN MILLIMETERS (2) TOLERANCES ARE: MAX ± 0.25 1.5 < X ≤ 1.0 SURFACE FINISH X = 1.5 ✓ MAX. ANGLES 90°		<b>KOHLER CO.</b> POWER SYSTEMS, KOHLER, WI 53044 U.S.A. THIS DRAWING IS DESIGN AND REGD. IS KOHLER CO. PROPERTY AND MUST NOT BE USED EXCEPT IN CONNECTION WITH KOHLER CO. WORK. ALL RIGHTS OF DESIGN OR INVENTION ARE RESERVED.	
APPROVALS	DATE	TITLE	
BTW	12-8-03		
DDH	12-8-03		
LOB	12-8-03		
DIMENSION PRINT 4TNV88 YANMAR MARINE 20E0ZD SCALE 3:5X (NO. ADVISORY) PART 2-3 ADV-6898 D		PAPER SIZE 1	

8 7 6 5 4 3 2 1

REV	DATE	REVISION	BY
B	2-11-04	SHEET 3-3 & KEEL COOLING VIEWS ADDED [71167]	DDH

D  
C  
B  
A

D  
C  
B  
A



KEEL COOLING OPTION WITH DRY EXHAUST

METRIC CAD FILE

NOTE:  
DIMENSION IN [ ] ARE INCH EQUIVALENTS.

UNLESS OTHERWISE SPECIFIED - 1) DIMENSIONS ARE IN MILLIMETERS (2) TOLERANCES ARE: FRACTION SURFACE FINISH 1/16 & 1/32 MAX. 1/4 & 1/2 MAX. ANGLES & CHAMFER		<b>KOHLER CO.</b> POWER SYSTEMS, KOHLER, WI. 53044 U.S.A. THIS DRAWING IS DESIGN AND DETAIL OF KOHLER CO. PROPERTY AND MAY NOT BE USED WITHOUT THE CONSENT OF KOHLER CO. WORK ALL RIGHTS OF DESIGN OR INVENTION ARE RESERVED.	
APPROVALS	DATE	SCALE	DRW. NO.
DDH	2-11-04	CLAY	ADV6882.DWG
DDH	2-11-04		
LGB	2-11-04		
PLOTTED DATE		3-3	
		ADV-6898	

20EOZD  
4TNV88 YANMAR MARINE

8 7 6 5 4 4 3 2