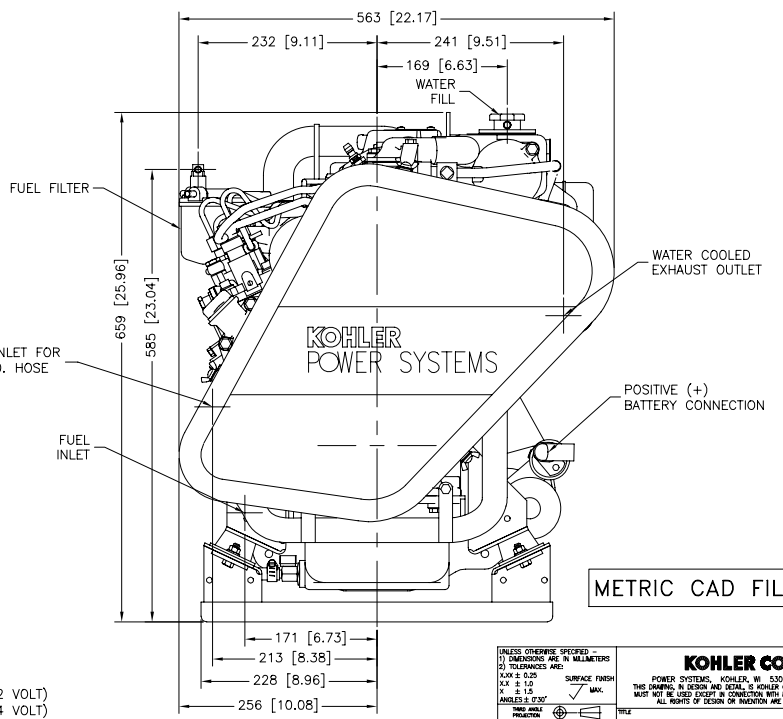
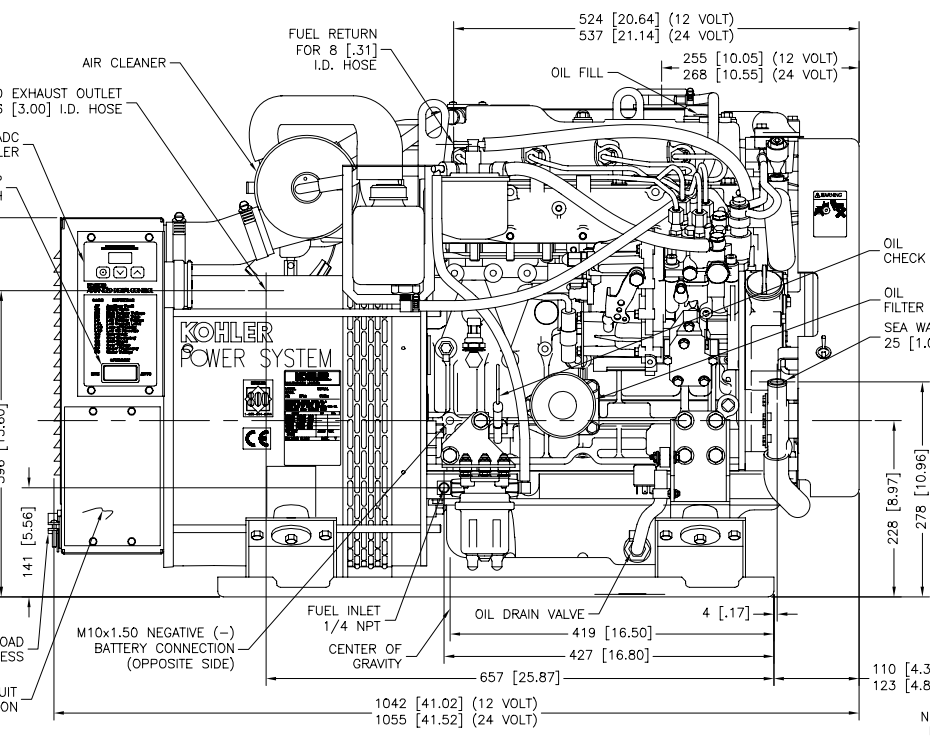
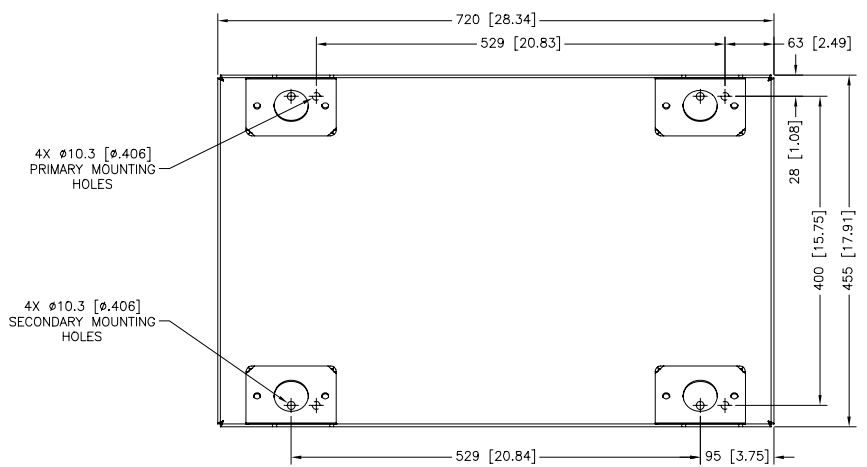


REV	DATE	REVISION	BY
-	12-8-03	NEW DRAWING [70778]	BTW
A	2-11-04	(A-7) NEGATIVE BATTERY CONNECTION RELOCATED [71492]	DDH
B	2-11-04	(A-1) SHEET 1-3 WAS 1-2 [71167]	DDH



METRIC CAD FILE

UNLESS OTHERWISE SPECIFIED -
 1) DIMENSIONS ARE IN MILLIMETERS
 2) DIMENSIONS ARE IN INCHES AND FRACTIONS
 SURFACE FINISH: MAX. UNLESS OTHERWISE SPECIFIED

KOHLER CO.
 POWER SYSTEMS, KOHLER, WI. 53044 U.S.A.
 THIS DRAWING IS DESIGN AND DETAIL OF KOHLER CO. PROPERTY AND
 MUST NOT BE USED WITHOUT THE CONSENT OF KOHLER CO. WORK
 ALL RIGHTS OF DESIGN OR INVENTION ARE RESERVED.

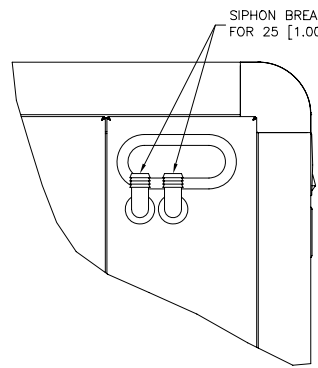
DIMENSION PRINT

23E0ZD 4TNV84T YANMAR MARINE
 SCALE: 35X
 DATE: 12-8-03
 DRAWN: DDH
 CHECKED: BTW
 APPROVED: LGB

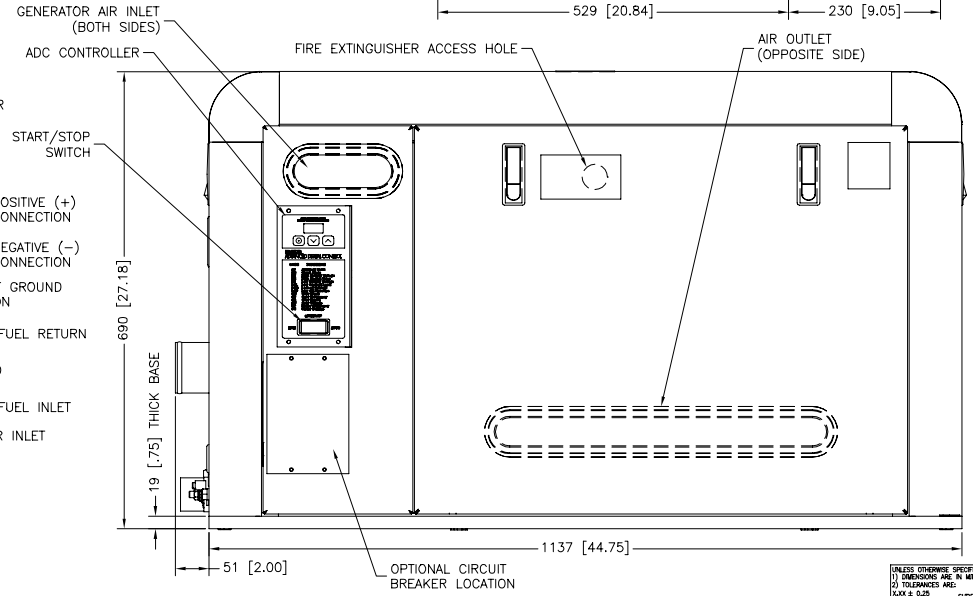
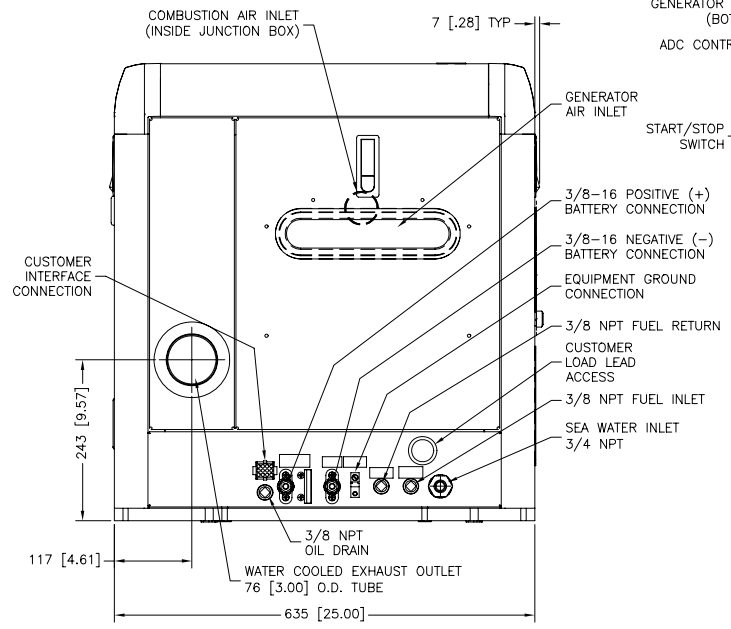
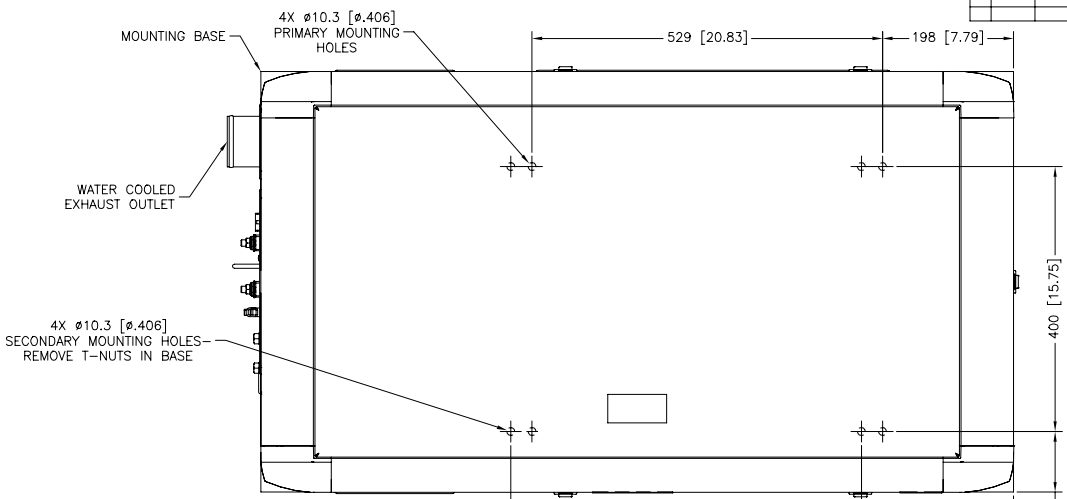
ADV-6899

NOTE:
 DIMENSION IN [] ARE INCH EQUIVALENTS.

REV	DATE	REVISION	BY
-	12-8-03	NEW DRAWING [70776]	BTW
A	2-11-04	(8-6) 3/8-16 BATTERY CONNECTIONS WAS 1/4-20; VIEWS UPDATED [71492]	DDH
B	2-11-04	(A-1) SHEET 2-3 WAS 2-2 [71167]	DDH



OPTIONAL SIPHON BREAK KIT



METRIC CAD FILE

NOTE:
DIMENSION IN [] ARE INCH EQUIVALENTS.

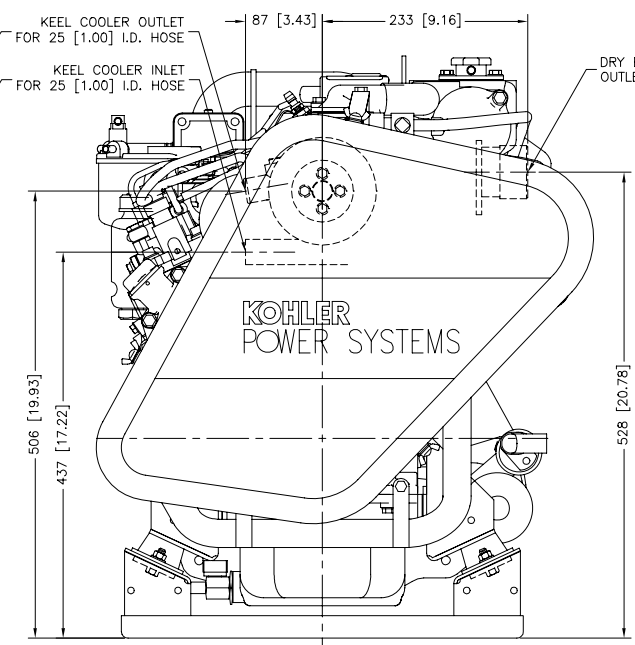
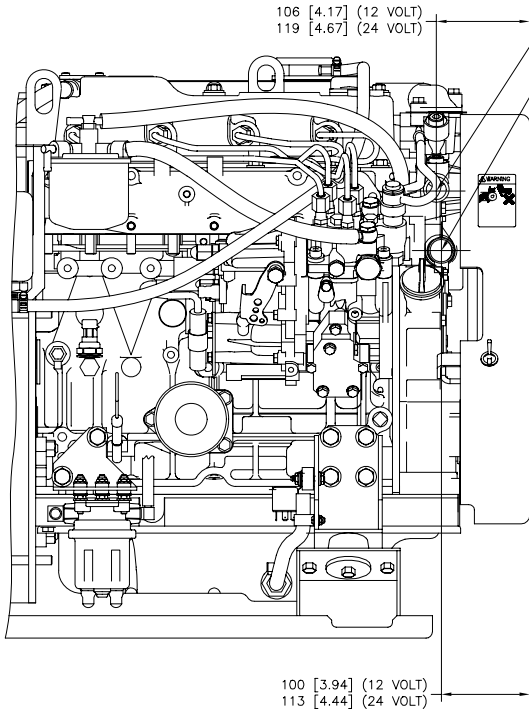
UNLESS OTHERWISE SPECIFIED - 1) DIMENSIONS ARE IN MILLIMETERS 2) TOLERANCES ARE: MAX & 0.25 1/2 & 1.0 1" & 1.5 ANGLES & 0.125		SURFACE FINISH ✓ MAX.	
APPROVALS		DATE	TITLE
BTW	DDH	12-8-03	
DDH	12-8-03		
LGB	12-8-03		

KOHLER CO.
POWER SYSTEMS, KOHLER, WI 53044 U.S.A.
THIS DRAWING IS DESIGN AND DETAIL IS KOHLER CO. PROPERTY AND MUST NOT BE USED EXCEPT IN CONNECTION WITH KOHLER CO. WORK. ALL RIGHTS OF DESIGN OR INVENTION ARE RESERVED.

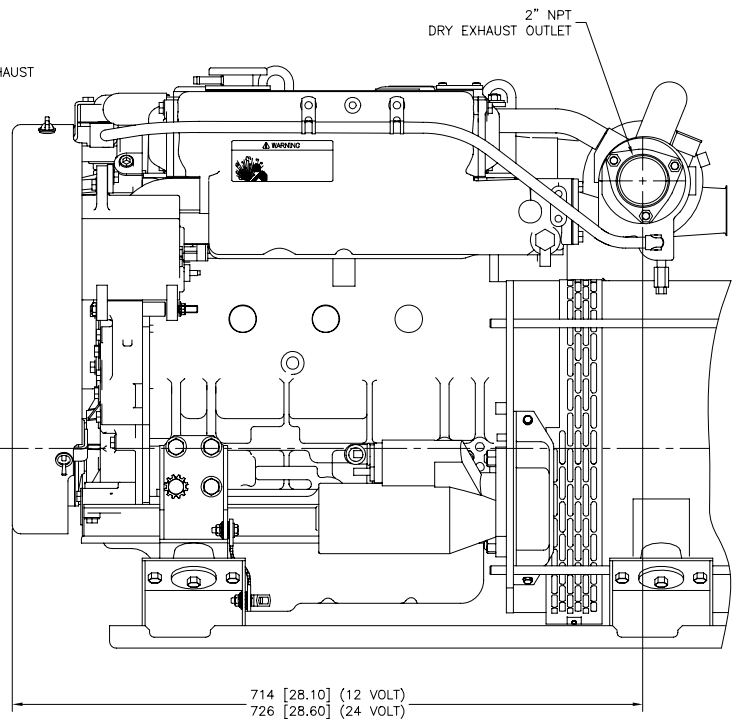
DIMENSION PRINT

23E0ZD 35X ADV5559BLDVG 1 2-3
4TNV84T YANMAR MARINE ADV-6899 D

REV	DATE	REVISION	BY
B	2-11-04	SHEET 3-3 & KEEL COOLING VIEWS ADDED [71167]	DDH



KEEL COOLING OPTION WITH DRY EXHAUST



METRIC CAD FILE

NOTE:
DIMENSION IN [] ARE INCH EQUIVALENTS.

UNLESS OTHERWISE SPECIFIED - 1) DIMENSIONS ARE IN MILLIMETERS (2) TOLERANCES ARE: FRACTION SURFACE FINISH 1/16 & 1/32 MAX. 1/4 & 1/2 MAX. ANGLES & CHAMFER		KOHLER CO. POWER SYSTEMS, KOHLER, WI. 53044 U.S.A. THIS DRAWING IS DESIGN AND DETAIL OF KOHLER CO. PROPERTY AND MAY NOT BE USED EXCEPT IN CONNECTION WITH KOHLER CO. WORK. ALL RIGHTS OF DESIGN OR INVENTION ARE RESERVED.	
APPROVALS	DATE	SCALE	DRW. NO.
DESIGNER	2-11-04	SCALE	ADV6893C.DWG
DRAWN	2-11-04	SCALE	3-3
CHECKED	2-11-04	SCALE	ADV-6899
APPROVED	2-11-04	SCALE	
PLOT DATE		PLOT DATE	

23EOZD
4TNV84T YANMAR MARINE