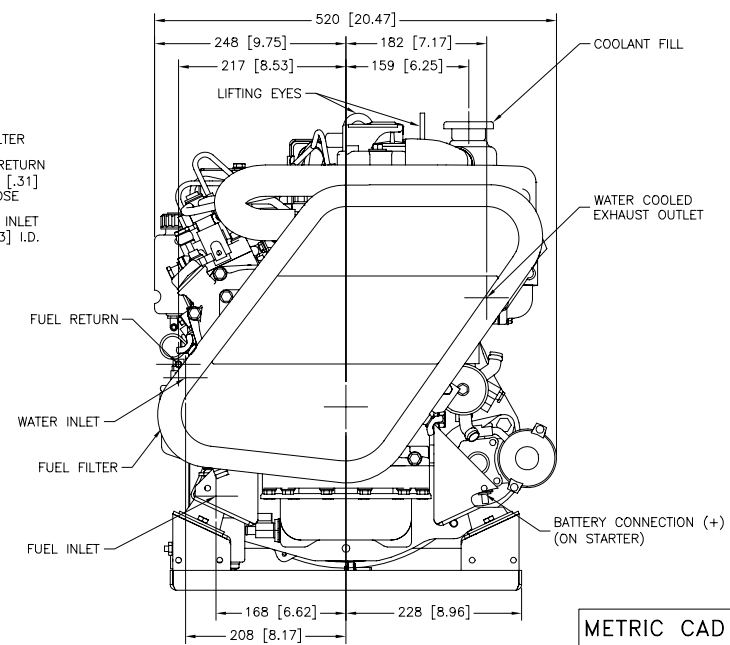
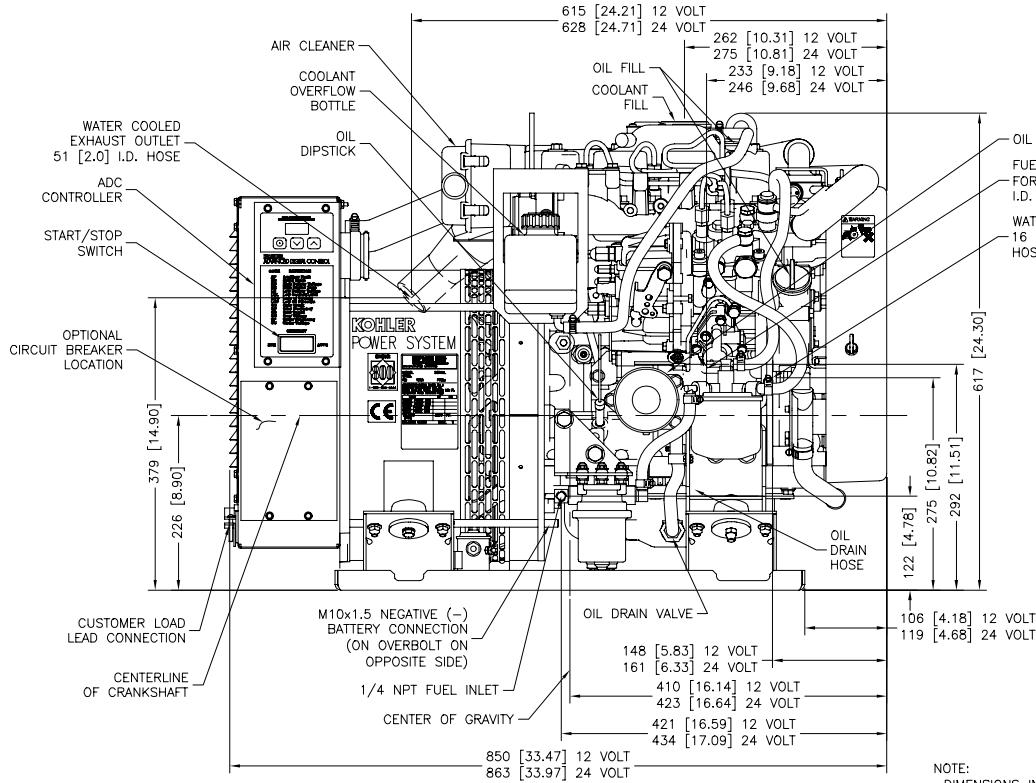
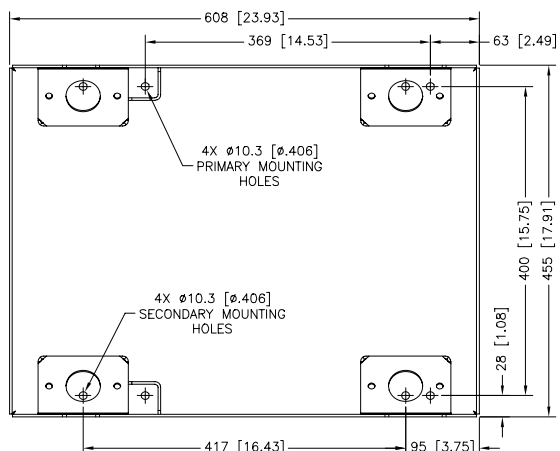


REV	DATE	REVISION	BY
C	2-2-04	(A-7) NEGATIVE (-) BATTERY CONNECTION RELOCATED; 24 VOLT DIMENSIONS ADDED [71437]	DDH
D	2-23-04	(A-1) SHEET 1-3 WAS 1-2 [71167]	DDH
E	3-12-04	(B-4) 292 [11.51] WAS 286 [11.27] [71778]	DDH



METRIC CAD FILE

NOTE:  
DIMENSIONS IN [ ] ARE INCH EQUIVALENTS.

10E02D  
3TNV82A  
YANMAR MARINE

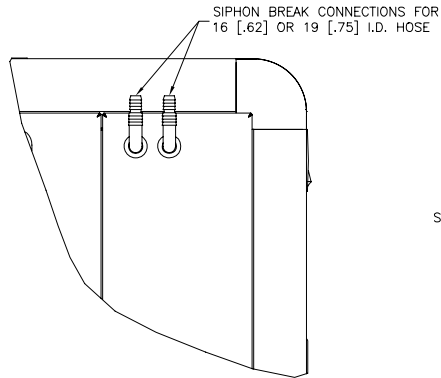
UNLESS OTHERWISE SPECIFIED -  
1) DIMENSIONS ARE IN MILLIMETERS  
OR UNLESS NOTED  
2) SURFACE FINISH  
3) MAX. FINISH  
4) UNLESS NOTED

APPROVALS: [Signature] DATE: 8-19-03  
BTW 8-19-03  
DDH 8-13-03  
LGB 8-13-03

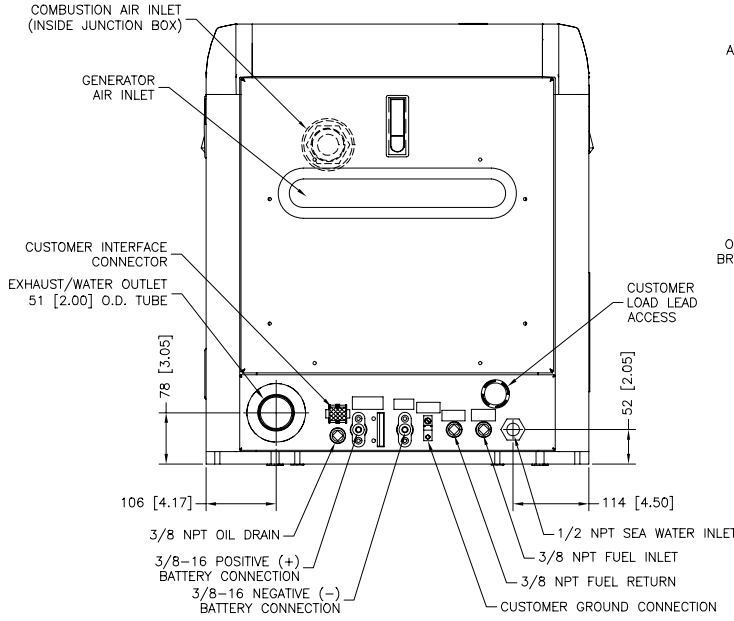
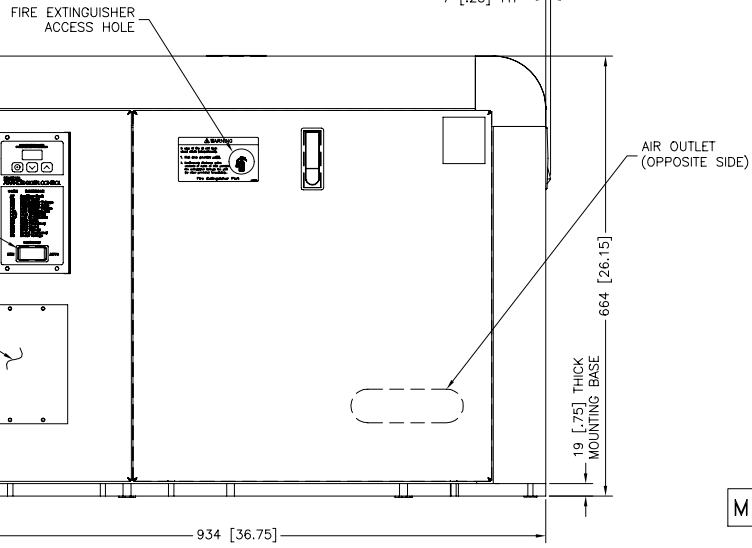
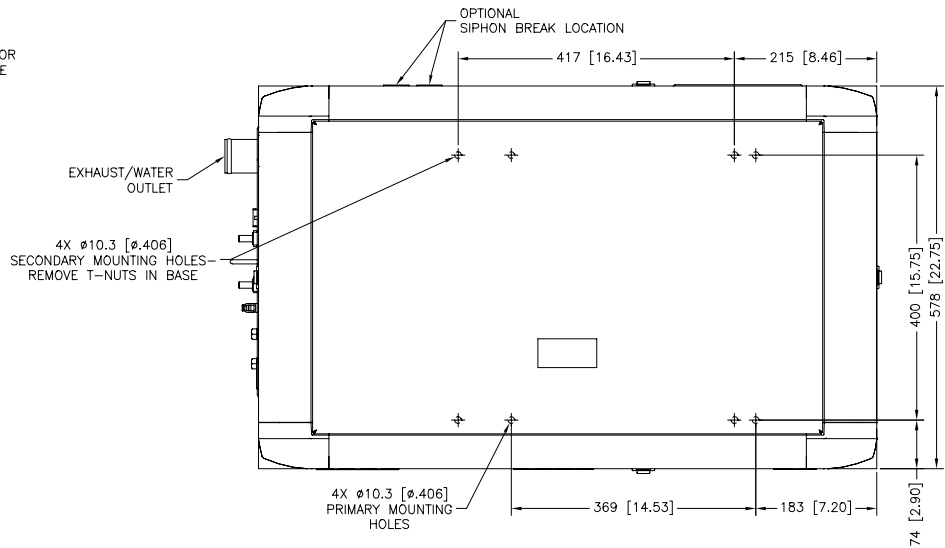
SCALE: 35X  
JOB NO.: ADV6847ADWC  
PART: 1-3  
DIMENSION PRINT  
ADV-6847  
D

8 7 6 5 4 3 2 1

REV	DATE	REVISION	BY
B	10-17-03	SEE SHEET 1 OF 2 [70579]	DDH
C	2-2-04	(A-7) 3/8-16 BATTERY CONNECTION WAS 1/4-20; (B-8)	DDH
D	2-23-04	(A-1) SHEET 2-3 WAS 2-2 [11167]	DDH
E	3-12-04	SEE SHEET 1 OF 3 [17178]	DDH



OPTIONAL SIPHON BREAK KIT



METRIC CAD FILE

NOTE:  
DIMENSIONS IN [ ] ARE INCH EQUIVALENTS.

10EOZD  
31N82A  
YANMAR MARINE

APPROVALS

APPROVED	DATE
BTW	8-21-03
DDH	8-21-03
LGB	8-21-03

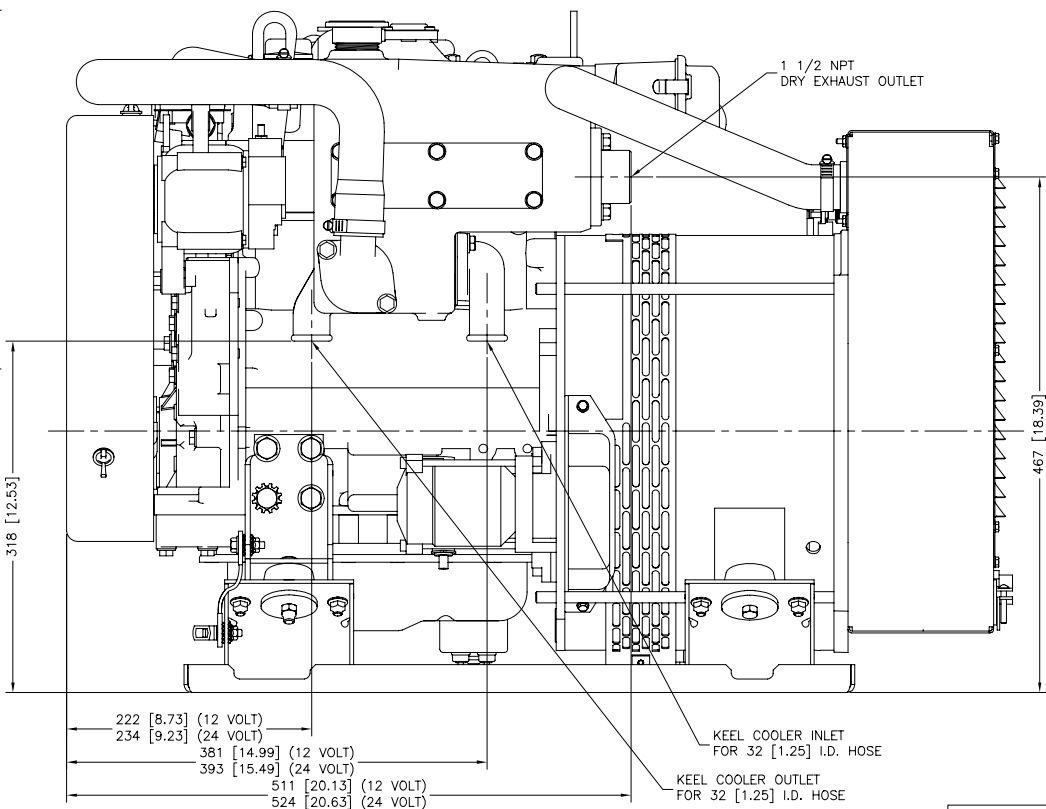
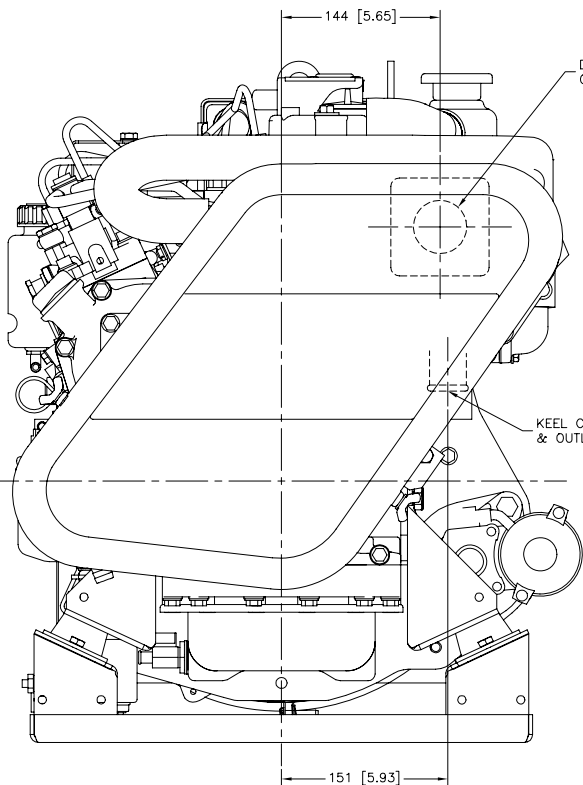
FILE

DATE	FILE NO.	REV.	BY
8-21-03	ADV08478L.DWG	2-3	D

PRINTED DATE

8 7 6 5 4 3 2 1

REV	DATE	REVISION	BY
D	2-23-04	SHEET 3-3 & KEEL COOLING VIEWS ADDED [71167]	DDH
E	3-12-04	SEE SHEET 1 OF 3 [71178]	DDH



KEEL COOLING OPTION WITH DRY EXHAUST

METRIC CAD FILE

NOTE:  
DIMENSIONS IN [ ] ARE INCH EQUIVALENTS.

UNLESS OTHERWISE SPECIFIED: 1) DIMENSIONS ARE IN MILLIMETERS OR UNLESS INDICATED 2) DIMENSIONS ARE IN INCHES 3) SURFACE FINISH 4) MAX. SURFACE FINISH 5) UNLESS OTHERWISE SPECIFIED		<b>KOHLER CO.</b> POWER SYSTEMS, KOHLER, WI. 53044 U.S.A. THIS DRAWING IS DESIGN AND DETAIL OF KOHLER CO. PROPERTY AND MAY NOT BE USED EXCEPT IN CONNECTION WITH KOHLER CO. WORK. ALL RIGHTS OF DESIGN OR INVENTION ARE RESERVED.	
APPROVALS	DATE	SCALE	FIG. NO.
DDH	2-23-04	0.5X	ADV6847C.DWG
DDH	2-23-04		
LGB	2-23-04		
10E0ZD 3TNV82A YANMAR MARINE		DIMENSION PRINT ADV-6847	